

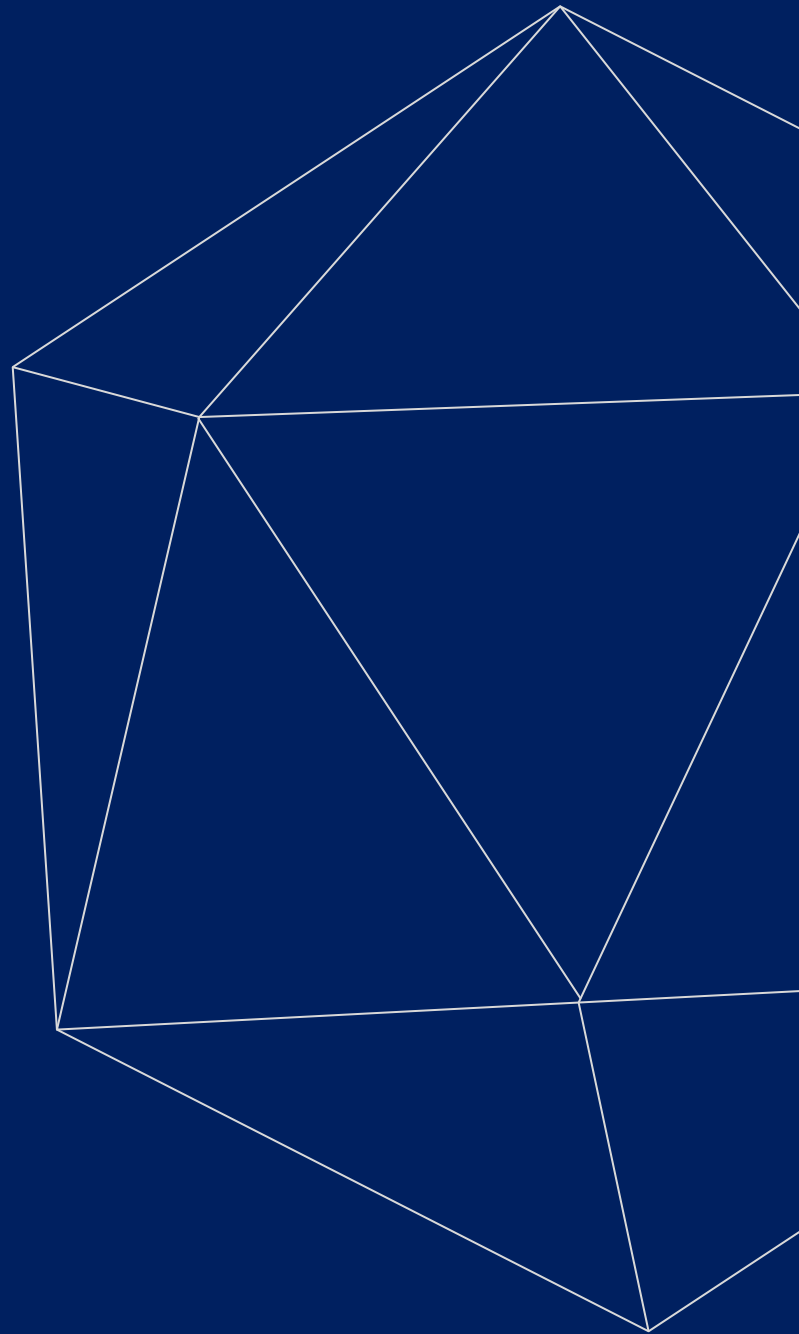
LABORATORY LINES

FUME HOOD



Kalstein®

A different accompaniment, at your service





Kalstein®

A different accompaniment, at your service

OUR SERVICES

Benefits and Support

In Kalstein France, we take care of the full satisfaction of our customers, that is why we provide value-added services of the highest level based on our experience.



Online Inductions and Trainings

In any part of the world, receive your induction or training from our specialized team of engineers



Quick Response

Our work team is always available to response all your consults or questions, in order to support you in any situation.



#Letsgivemore ♥

Thanks to your purchase, a donation will be made to a non-profit foundation that fights against breast cancer and helps most vulnerable communities.



Technical Support

Enjoy of personalized advice for the correct preventive and corrective maintenance of your equipment, thanks to Kalstein's manuals and articles, special catalogues and video tutorials.



Delivery Logistics

We take care of all the necessary logistics for the dispatch of your goods, whether is by sea, land or air.

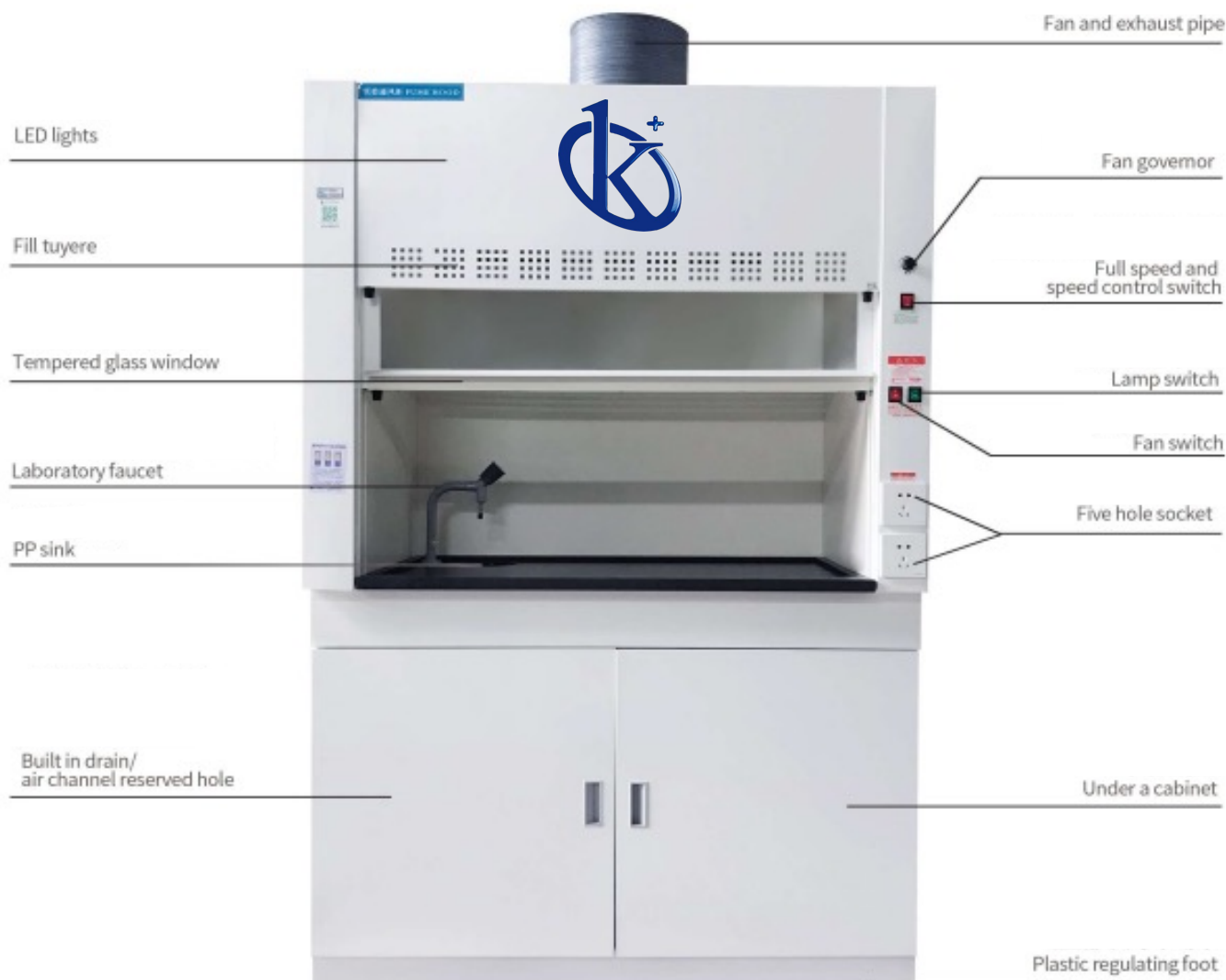


Kalstein Worldwide

With more than 25 years growing with our customers, Kalstein's multiformat and modern content, is now present in more than 10 countries and increasing.



KALSTEIN® Fume Hood Model Series YR05808



SCOPE OF APPLICATION

Government organs	Hospital/University/Scientific Research/Public Security/Disease Control/Quarantine
science and technology	Microorganism/Electricity/Life/Environmental Protection/Energy
Manufacturer	Pharmaceutical / food / chemical / feed / flavor



#Letsgivingmore ♥

Thanks to your purchase, a donation will be made to a non-profit foundation that fights against breast cancer and helps most vulnerable communities.



All rights reserved © KALSTEIN France S. A. S.,
Optimum Business Center 450 Rue Baden Powell,
• 34000 Montpellier, France.
Tél: +33 467158849 / +33 680760710/ +33 663810023
<https://kalstein.eu>
KALSTEIN FRANCE, S.A. S



PRODUCT PARAMETERS

Model	YR05808	YR05809	YR05810	YR05811	YR05812
Bench Top (mm)	650*650*1000	800*650*1000	1000*650*1000	1200*650*1000	1500*650*1000
Floor mounted (mm)	/	800*650*1900	1000*650*1900	1200*650*1900	1500*650*1900
Inner size (mm)	450*530*750	600*530*750	800*530*750	1000*530*750	1300*530*750
Air volume	420 m ³ /h		1850 m ³ /h		
Exhaust air diameter	150mm		250mm		
Fan power	48W		110W		
LED Power	6W		10W		14W
Rated power	2000W				
Noise	50db				
Surface wind speed	Adjustable				
Voltage	220V				
Main Body	1.0mm thickness cold-rolled steel with epoxy resin powder coating				
Inner Size	5mm thickness compact, resistant to strong acid and alkali				
Work Top	12.7mm thick black solid core physical and chemical board countertop, can also be ceramic, marble, stainless steel table panel				
Standard Accessory	10A socket, fan, duct, LED, speed governor, faucet(water type), sink(water type)				
Optional Accessory	LCD panel, electric damper, manual damper, gascock, drip rack				

A DESKTOP



#Let'sgive**more** ❤️

Thanks to your purchase, a donation will be made to a non-profit foundation that fights against breast cancer and helps most vulnerable communities.



All rights reserved © KALSTEIN France S. A. S.,
Optimum Business Center 450 Rue Baden Powell,
• 34000 Montpellier, France.
Tél: +33 467158849 / +33 680760710/ +33 663810023
<https://kalstein.eu>
KALSTEIN FRANCE, S.A. S



TOTAL WATERLESS



OVERALL WATER TYPE



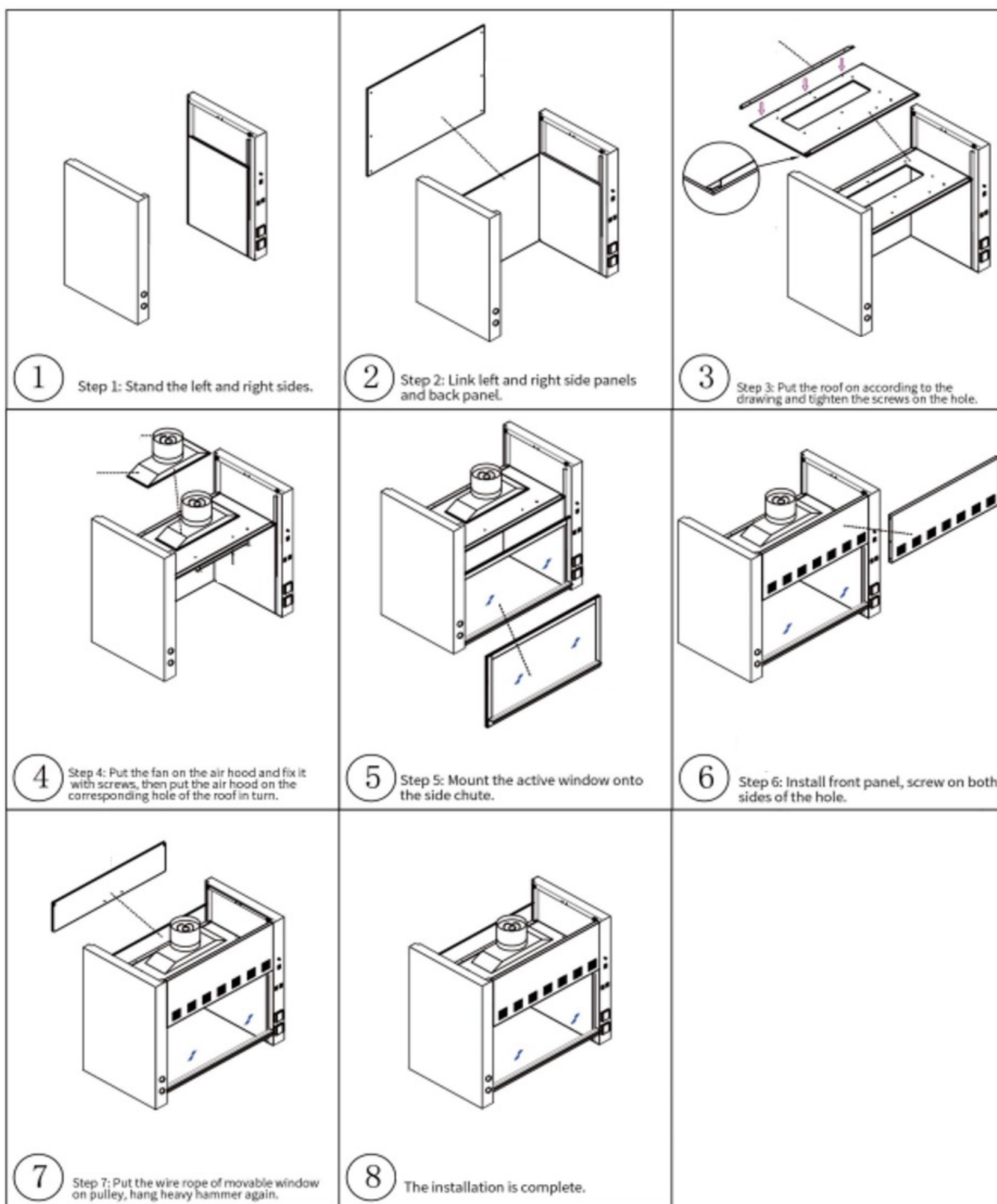
#Letsgivingore ♥

Thanks to your purchase, a donation will be made to a non-profit foundation that fights against breast cancer and helps most vulnerable communities.



All rights reserved © KALSTEIN France S. A. S.,
Optimum Business Center 450 Rue Baden Powell,
• 34000 Montpellier, France.
Tél: +33 467158849 / +33 680760710/ +33 663810023
<https://kalstein.eu>
KALSTEIN FRANCE, S.A. S





#Let'sgivemore ♥

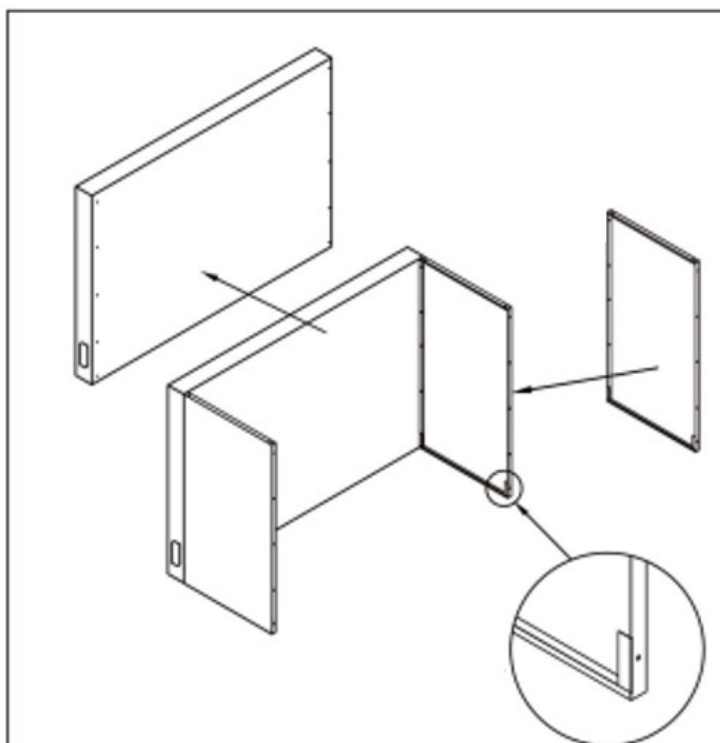
Thanks to your purchase, a donation will be made to a non-profit foundation that fights against breast cancer and helps most vulnerable communities.



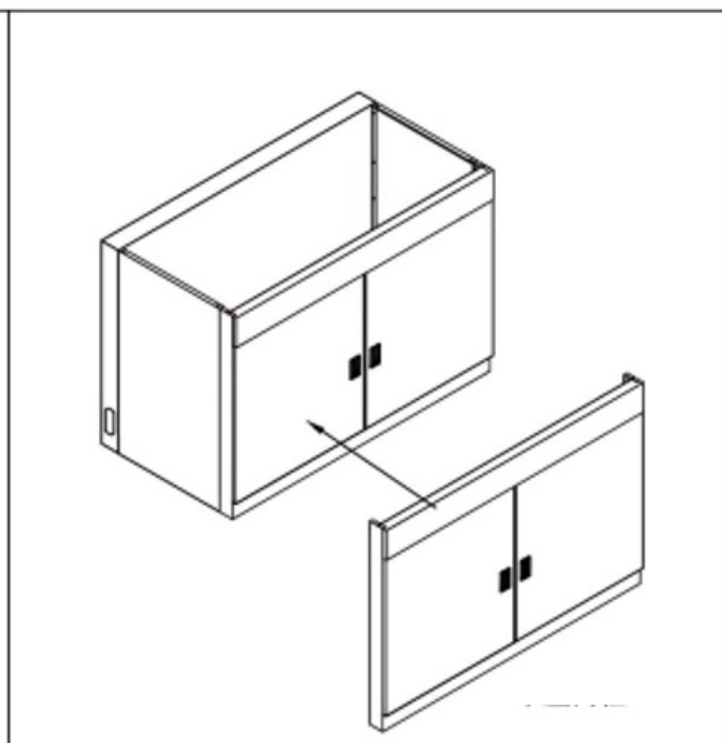
All rights reserved (© KALSTEIN France S. A. S., Optimum Business Center 450 Rue Baden Powell, • 34000 Montpellier, France.
Tél: +33 467158849 / +33 680760710/ +33 663810023
<https://kalstein.eu>
KALSTEIN FRANCE, S.A. S



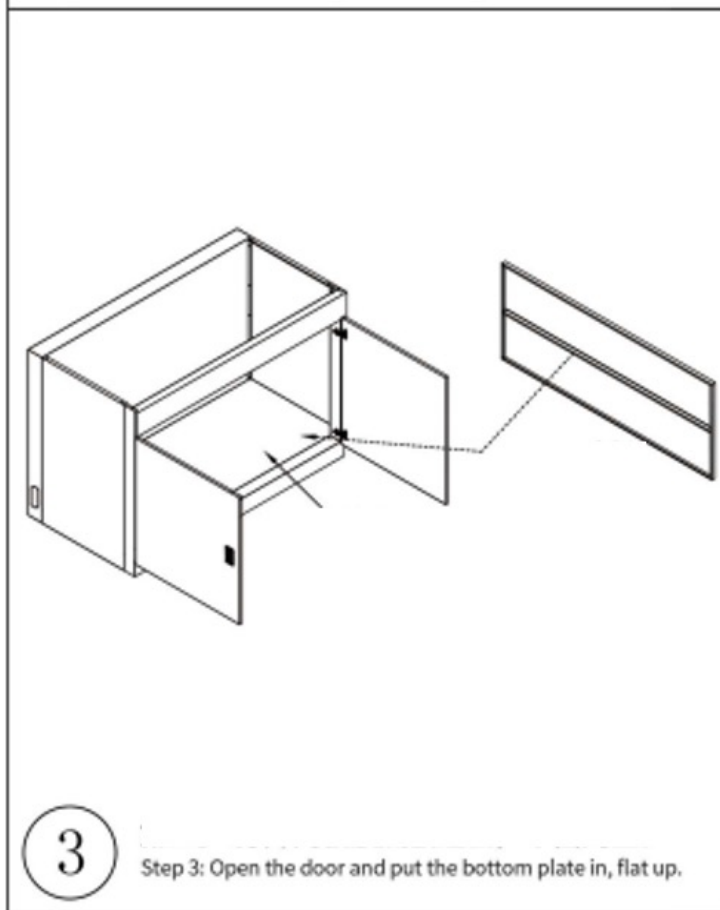
FUME HOOD



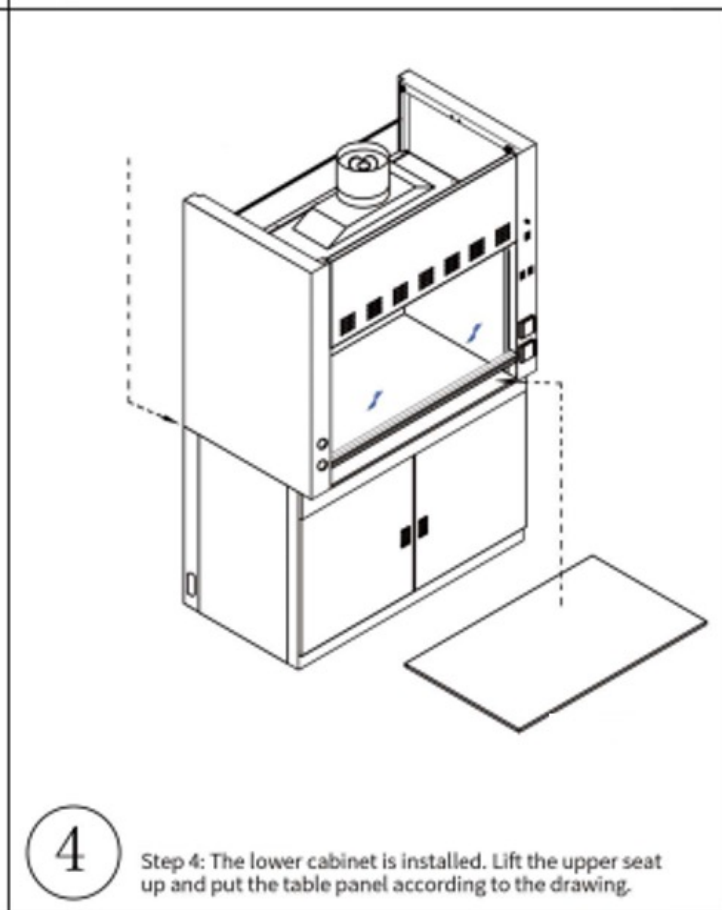
1 Step 1: Screw the side panel and the back panel on the hole according to the drawing.



2 Step 2: Door frame and two sides of the plate on the hole screw.



3 Step 3: Open the door and put the bottom plate in, flat up.



4 Step 4: The lower cabinet is installed. Lift the upper seat up and put the table panel according to the drawing.



#Letsgivemore 

Thanks to your purchase, a donation will be made to a non-profit foundation that fights against breast cancer and helps most vulnerable communities.



All rights reserved © KALSTEIN France S. A. S.,
Optimum Business Center 450 Rue Baden Powell,
• 34000 Montpellier, France.
Tél: +33 467158849 / +33 680760710/ +33 663810023
<https://kalstein.eu>
KALSTEIN FRANCE, S.A. S



INSTALLATION DETAILS RENDERINGS

1. Lamp and related screw fittings



2. Gas collecting hood and related screw fittings



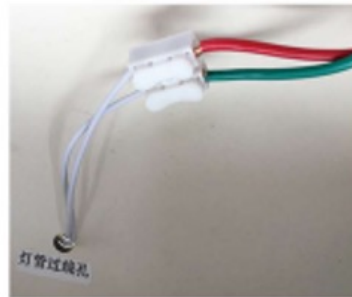
3. Reinforcing rod and related screw fittings



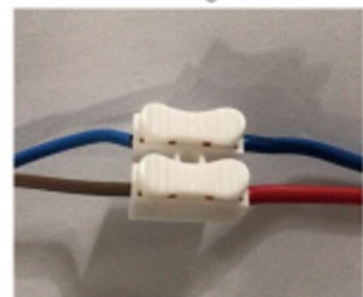
4. Effect of lamp installation



5. Effect of Lamp wiring connection



6. Effect of fan wiring connection



7. worktop, faucet and sink



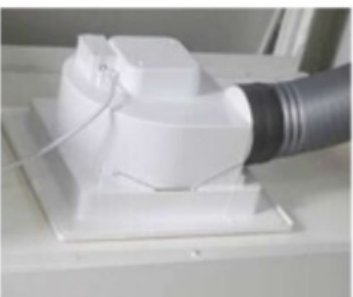
8. inlet and drain pipe



9. balance hammer



10. exhaust fan(F8-65&80)
diameter:φ160mm



11. Axial Fan(F8-100 and above)
diameter:φ250mm



12. PP centrifugal fan(F8-100 and above)
diameter:φ250mm



#Letsgivingmore ❤️

Thanks to your purchase, a donation will be made to a non-profit foundation that fights against breast cancer and helps most vulnerable communities.



All rights reserved (© KALSTEIN France S. A. S.,
Optimum Business Center 450 Rue Baden Powell,
• 34000 Montpellier, France.
Tit: +33 467158849 / +33 680760710/ +33 663810023
<https://kalstein.eu>
KALSTEIN FRANCE, S.A. S



PRODUCT FEATURES

The purpose of the fume hood is to remove the harmful gases generated in the experiment, to protect the health of the experimenter, and have a highly safety and superior operability

1. Release function: it shall have the function to dilute the harmful gas generated inside the fume hood by absorbing the gas outside the fume hood.
2. No backflow function: the airflow generated by the exhaust fan inside the fume hood shall have the function of not reversing the flow of harmful gases from inside the fume hood into the room.
3. Isolation function: in front of the fume hood, there should be a non-sliding glass window to separate the inside and outside of the fume hood.
4. Supplementary function: it shall have a passage or a substitute device for drawing air from outside the fume hood during the discharge of harmful gases.
5. Control wind speed function: having a certain inhalation speed to prevent toxic gas from overflowing. The factors that determine the suction speed of the air inlet of the fume hood are: the heat generated by the experimental content and the relationship with the number of air changes. The mainly are the experimental content and the nature of the harmful substances. Generally non-toxic pollutants are 0.25 ~ 0.38m / s, toxic or dangerous harmful substances are 0.4 ~ 0.5m / s, highly toxic or a small amount of radioactivity is 0.5 ~ 0.6m / s, gas is 0.5m / s, the granules are 1 m/s.
6. Anti-heat, anti-acid and alkali and anti-corrosion: worktop, lining board, side plate as well as water tap and gas valve are all have anti-corrosion function.

PRODUCT FEATURES

1. Shell: frame structure, material is 1.0 mm thick cold-rolled steel plate, mechanical bending molding surface by epoxy resin powder spray treatment, corrosion resistance in line with GB/ t3668-200x standard.
2. Lining board: 5mm thickness compact panel, the assembly screws are covered with a plastic cover to avoid contact with the gas in the cabinet and to maintain aesthetics.
3. Window: no stage balanced design, can stay any position according to operation requirement. Window frames and handles are made of cold rolled steel plate 1.0 mm thick mechanical bending molding and sprayed by epoxy resin powder foam, which not only enhances the stretching function, but also reduces the turbulence phenomenon.
4. Front plate: for stable airflow.
5. Worktop: solid core physicochemical board worktop, anti-acid, anti-alkali and anti-corrosion. (Other material worktops can be selected according to the requirements).
6. Key: power switch, lighting switch, the fan switch, and the standby switch are the operation indicators.
7. Voltage: 220V (optional 380V) meets international safety standards.
8. Socket: multi-purpose universal splash-proof socket for all types of plugs.
9. Lighting: LED lamp for laboratory.



#Let'sgivemore

Thanks to your purchase, a donation will be made to a non-profit foundation that fights against breast cancer and helps most vulnerable communities.



All rights reserved © KALSTEIN France S. A. S.,
Optimum Business Center 450 Rue Baden Powell,
• 34000 Montpellier, France.
Tit: +33 467158849 / +33 680760710/ +33 663810023
<https://kalstein.eu>
KALSTEIN FRANCE, S.A. S



KALSTEIN® Fume Hood

Model Series YR05808



DIRECTIONS FOR USE

1. Fume hood installation adjustment level must be flat, otherwise it will affect the adjustment balance effect of window.
2. The electrical part of the fume hood must be installed by a professional person. the wiring of the fan must pay attention to the steering of the fan.
3. During operation, the fan motor switch must be activated first, after at end of the work, it is necessary to continue to exhaust for 15mins and then shut down the fan motor.
4. Up and down adjustment of the fume hood window directly affects the amount of exhaust air, plz move the sliding door glass to the normal position.
5. Daily use and maintenance of fume hood should be carried out according to panel instructions.
6. When the fume hood can't work normally, it needs to be repaired by professionals. The fume hood is guaranteed for one year. In case of man-made damage during this period, only the material fee will be charged.
7. The fume hood has the function of fixed ventilation space range. When the ventilation system is opened, the fume hood will effectively remove harmful gases and dust generated during the experiment, creating a good working environment for the laboratory and protecting the health of the experimenters.
8. It has the functions of medicine cabinet and solvent storage cabinet.
9. Ventilation cabinet can be installed independently, and also can be connected with central ventilation system for experimental operation.
10. The height of the air duct installed in the ventilator should be above 2.6m from the ground. Smooth air passage must be provided before the window of the ventilator is adjusted to eliminate the possible countercurrent phenomenon in the operation area.



#Letsgivingmore ♥

Thanks to your purchase, a donation will be made to a non-profit foundation that fights against breast cancer and helps most vulnerable communities.



All rights reserved © KALSTEIN France S. A. S.,
Optimum Business Center 450 Rue Baden Powell,
• 34000 Montpellier, France.
Tél: +33 467158849 / +33 680760710/ +33 663810023
<https://kalstein.eu>
KALSTEIN FRANCE, S.A. S



KALSTEIN® Fume Hood

Model Series YR05808



MATTERS NEEDING ATTENTION

1. The fume hood as an important laboratory safety equipment, in order to ensure safety and normal use, please carefully read the instructions and precautions, and participate in appropriate laboratory safety and skills training.
2. Equipment should be avoided to place in the door, near the window or corridor where is the people walking around. It is forbidden to stretch your head inside during the experiment
3. Ensure that the power outlet has a good grounding. Turn off the power and unplug the plug when replacing the fluorescent lamp. The power of plug should no more than 1000W.
4. After the packaged, the cabinet should be stored at no more than 40 degrees centigrades, relative humidity of not more than 85%, well ventilated environment
5. In order to keep the door window clean, should often use a soft cloth to wipe, and away from HF acid and so on
6. Fume duct, fan etc. should be kept clean and maintenance. Do not store flammable or explosive materials in the fume hood.
7. Within the distance 150mm from the window, do not put any equipment, large experimental equipment should have sufficient space, should not affect the flow of air.
8. During operation, do not put soft, subtle items (such as: soft paper towels) on the table, so as not to be sucked into the negative pressure air duct and fan, and affect the equipment running.
9. It is forbidden to place all the tested substances in the fume hood without safety. If a chemical substance is spilled out, the power supply should be cut off.
10. Move up and down the window slowly and lightly, so as not to crush by the handle.
11. The company's product color is subject to the actual product.
12. Warranty: The warranty period of this equipment is 1 year (excluding consumables).



#Let'sgivemore ♥

Thanks to your purchase, a donation will be made to a non-profit foundation that fights against breast cancer and helps most vulnerable communities.



All rights reserved © KALSTEIN France S. A. S.,
Optimum Business Center 450 Rue Baden Powell,
• 34000 Montpellier, France.
Tél: +33 467158849 / +33 680760710 / +33 663810023
<https://kalstein.eu>
KALSTEIN FRANCE, S.A. S





 **Kalstein**[®]
A different accompaniment, at your service

#LETSGIVEMORE 

**WITH THE
ACQUISITION
OF A KALSTEIN
EQUIPMENT**

YOU MAKE A CONTRIBUTION TO:



**Fundación
Jacinto Convit**

<https://www.jacintoconvit.org/>



<https://onetreepanted.org>



Humatem

Solidarité et coopération
biomédicale

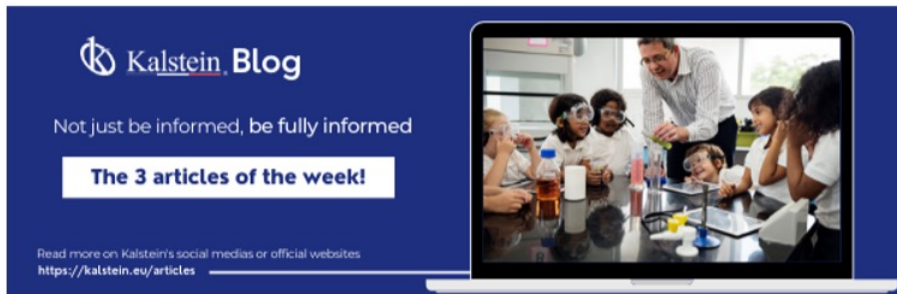
<https://www.humatem.org/>



**MANIAPURE
FOUNDATION USA**

<https://www.maniapurefoundation.org/>

Articles Kalstein
(Social Networks and Official Websites)



Kalstein Blog
Not just be informed, be fully informed
The 3 articles of the week!
Read more on Kalstein's social medias or official websites
<https://kalstein.eu/articles>



1
Read this ARTICLE NOW
How does the climate affect your microscope?
A microscope is an instrument that allows observing and measuring objects that are too small to be seen with the naked eye. This is achieved through a complex system of lenses and mirrors, which form...

Kalstein Blog
Article of the week:
How does the climate affect your microscope?
Read more on Kalstein's social medias or official websites
<https://kalstein.eu/articles>



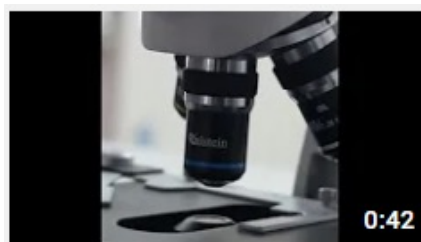
2
Read this ARTICLE NOW
What is the importance of the laboratory refrigerator?
A refrigerator is a device that is one of the most used equipment for laboratories to maintain, in a controlled environment (refrigerated space), various fluids and substances...

Kalstein Blog
Article of the week:
What is the importance of the laboratory refrigerator?
Read more on Kalstein's social medias or official websites
<https://kalstein.eu/articles>

Kalstein Training Videos
(Youtube Channel and Official Websites)



Kalstein France - Jacinto Convit Foundation / Alliances
23 views • 3 years ago



Kalstein's Microscopes
445 views • 1 week ago



MONTPELLIER - FRANCE
HEADQUARTER
Optimum Business Center,
450 Rue Baden Powell,
34000 Montpellier - France.

Fax: +33 (0) 4 67 15 88 49
Tel: +33 (0) 6 80 76 07 10
sales@kalstein.eu

<https://kalstein.net/>
<https://www.kalstein.fr/>

Official Websites for Latin America.

