



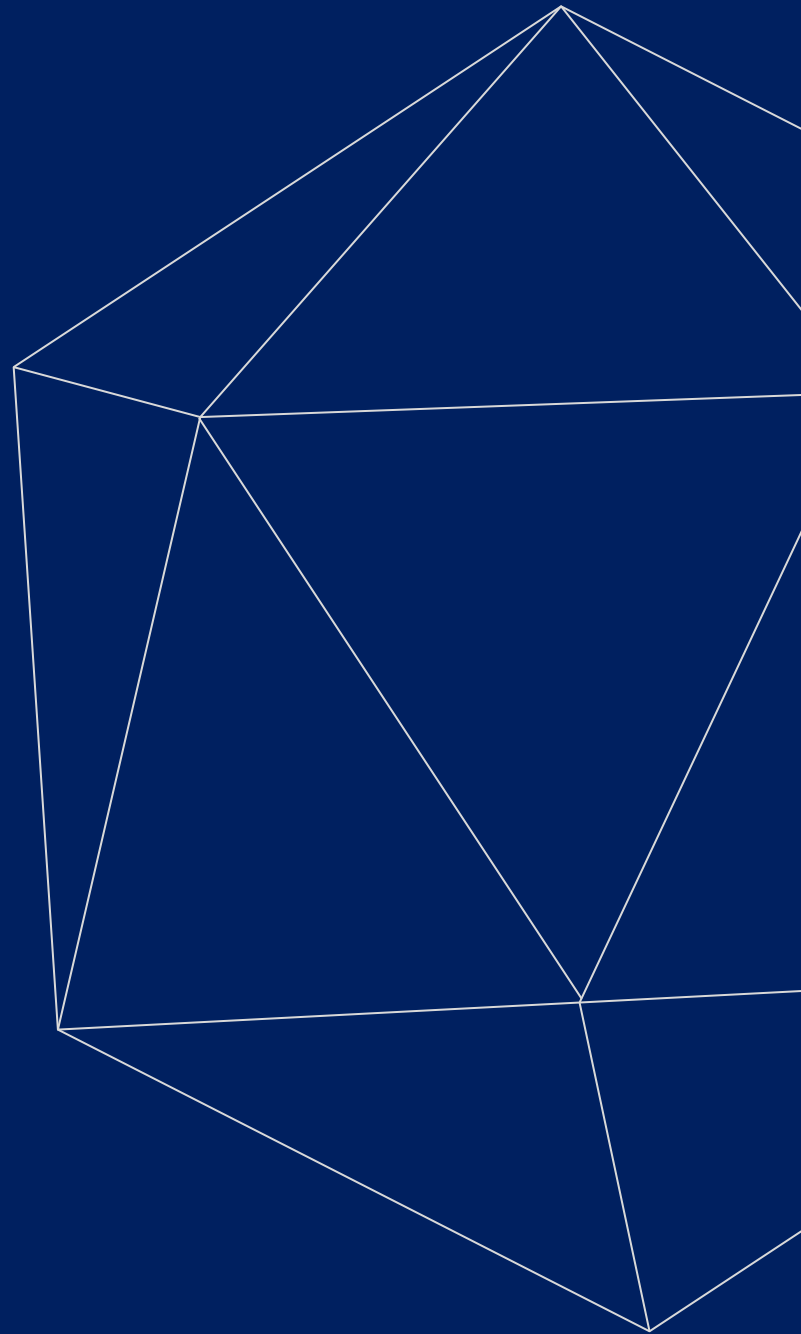
IMAGING SYSTEMS

GEL DOCUMENTATION SYSTEM



Kalstein®

A different accompaniment, at your service





Kalstein®

A different accompaniment, at your service

OUR SERVICES

Benefits and Support

In Kalstein France, we take care of the full satisfaction of our customers, that is why we provide value-added services of the highest level based on our experience.



Online Inductions and Trainings

In any part of the world, receive your induction or training from our specialized team of engineers



Quick Response

Our work team is always available to response all your consults or questions, in order to support you in any situation.



#Letsgivemore ♥

Thanks to your purchase, a donation is made to a non-profit foundation that fights against cancer and helps vulnerable communities.



Technical Support

Enjoy of personalized advice for the correct preventive and corrective maintenance of your equipment, thanks to Kalstein's manuals and articles, special catalogues and video tutorials.



Delivery Logistics

We take care of all the necessary logistics for the dispatch of your goods, whether is by sea, land or air.



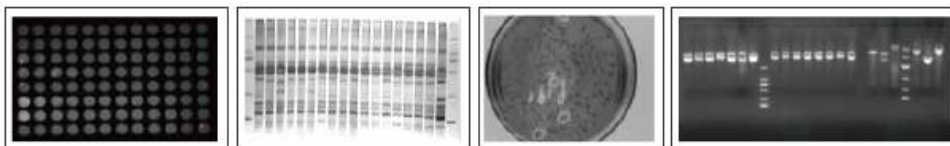
Kalstein Worldwide

With more than 25 years growing with our customers, Kalstein's multiformat and modern content, is now present in more than 10 countries and increasing.



Gel Documentation System Series YR04961 to YR04964

YR Series Gel Documentation and Analysis System are designed for the detection and documentation of nucleic acids and proteins. It adopts a high resolution and highly sensitive scientific CCD-Camera, which enables the instrument to capture utter weak signals under extremely low illumination condition. The automatic controls and the intuitive software we offered can help the researchers to get rid of the complicated operation process and increase therefore the experiment efficiency.



Application:

Gel Inspection

Diverse dyes, e.g.: Ethidium Bromide, SYBR™ Gold, SYBR™ Green, SYBR™ Safe, GelStar™, Texas Red, Fluorescein, marked DNA/RNA detection.

Protein Inspection

Commassie Brilliant Blue, Silver Staining and Fluorescent dyes, e.g.: Sypro™ Red, Sypro™ Orange, Deep Purple, Pro-Q Diamond etc.

Others

Others: ELISA Plate, Petri Dish Colony Counter, TLC Plate, etc.

Polymer by RIM Molding

The front panel and door is designed by Reaction Injection Molding. It is environment friendliness.

Upgrading easily

Select one configuration for your applications now, and upgrade later when you applies different applications with adding other tray or hardware module:

- ✓ UV transmission
- ✓ UV+BLUE light transmission
- ✓ UV+BLUE+White light transmission

Better user experience

Base on application, only use Arabic numerals ,which is matched on different applications automatically, instead of the professional parameter of aperture and focus.

Switchable operation mode

You can use your machine by stand alone PC or embedded touch screen PC, Only you press the “switch button” easily.

UV SMART™ transilluminator

Compared with the traditional UV transilluminator, the “non-lamp” design of UV Smart™ provides uniform transmission and better background.

Blue and white Light transilluminator

The magnetic thimble interfaces realize free switching between the blue light and white light transmission. The touchable brightness adjustment switch facilitates the gel observation and recovery.



#Let'sgivemore

Thanks to your purchase, a donation is made to a non-profit foundation that fights against cancer and helps vulnerable communities.



All rights reserved © KALSTEIN France S. A. S.,
2 Rue Jean Lantier • 75001 Paris •
+33 1 78 95 87 89 / +33 6 80 76 07 10 •
<https://kalstein.eu>
KALSTEIN FRANCE, S. A. S



Gel Documentation System Series YR04961 to YR04964



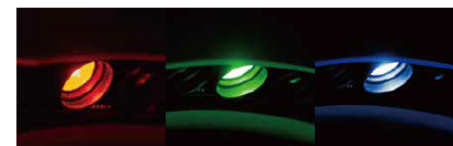
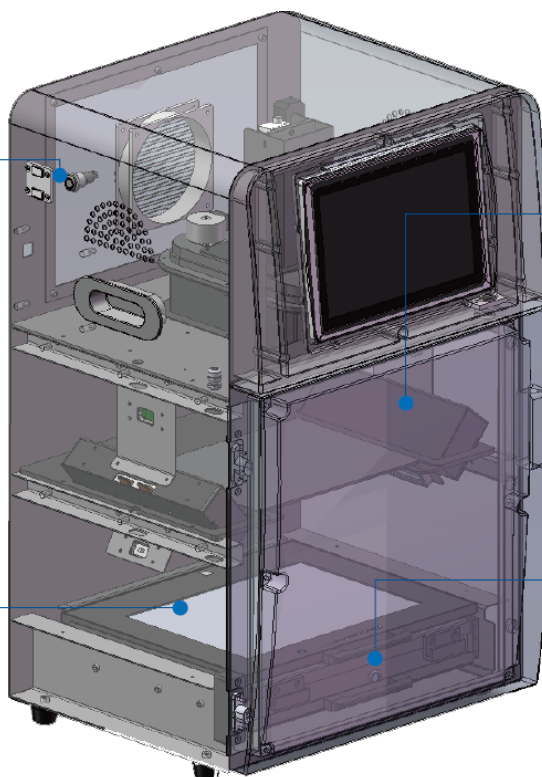
Operation mode converter

Enable both operation modes of embedded and external computer.



Ultra slim transilluminator

The magnetic thimble interfaces realize free switching between the blue light and white light transmission. The touchable brightness adjustment switch facilitates the gel observation and recovery.



Multi-fluorescence module

Realized the multi-channel fluorescence photography from UV, visible light to near infrared.



UV SMART™ transilluminator

Compared with the traditional UV transilluminator, the "non-lamp" design of UV Smart™ provides uniform transmission and better background.



Kalstein's YR Image Analysis software

- ✓ Automatic recognizing and numbering the gel bands
- ✓ Calculation of molecular weight of each band
- ✓ Optional save of analysis results as "xls" files
- ✓ Calculation of the optical density for the quantitative analysis
- ✓ Optimization of the visual effects by wiping background model

Kalstein's YR image capture and analysis software is designed for YR gel documentation system. We promise, we offer free lifetime upgrades.

Kalstein's YR Image Capture Software

- ✓ High precise automatic exposure
- ✓ Advanced pixel binning technology increases the sensitivity of the system
- ✓ Automatic access of capture parameters
- ✓ Image rotation, cropping and counter color process
- ✓ Convenient image navigation and browsing



#Letsgivemore ♥

Thanks to your purchase, a donation is made to a non-profit foundation that fights against cancer and helps vulnerable communities.



All rights reserved © KALSTEIN France S. A. S.,
2 Rue Jean Lantier • 75001 Paris •
+33 1 78 95 87 89 / +33 6 80 76 07 10 •
<https://kalstein.eu>
KALSTEIN FRANCE, S. A. S



PARAMETERS

YR04961 main system

Scientific Digital Camera
 Resolution: 5.0 Megapixels, 2592 x 1944
 A/D: 16bit(65536 Grey Scales)
 Quantum efficiency: $\geq 70\%$
 Readout noise: 5.1e-RMS
 Dark current: 1e-/pixel/sec.@25°C
 SNR: 70.1db

YR04962 main system

Scientific Digital Camera
 Resolution: 5.2 Megapixels, 2560 x 2048
 A/D: 16bit(65536 Grey Scales)
 Quantum efficiency: $\geq 82\%$
 Readout noise: 3.2e-RMS
 Dark current: 1e-/pixel/sec.@25°C
 SNR: 72.8db

YR04963 Touch main system

Embedded industry computer with touch screen
 Scientific Digital Camera
 Resolution: 5.0 Megapixels, 2592 x 1944
 A/D: 16bit(65536 Grey Scales)
 Quantum efficiency: $\geq 70\%$
 Readout noise: 5.1e-RMS
 Dark current: 1e-/pixel/sec.@25°C
 SNR: 70.1db

YR04964 Touch main system

Embedded industry computer with touch screen
 Scientific Digital Camera
 Resolution: 5.2 Megapixels, 2560 x 2048
 A/D: 16bit(65536 Grey Scales)
 Quantum efficiency: $\geq 82\%$
 Readout noise: 3.2e-RMS
 Dark current: 1e-/pixel/sec.@25°C
 SNR: 72.8db

Sample Tray

Super Slim white LED Transilluminator
 Super Slim blue LED Transilluminator (470nm) UVSmart™
 UV Transilluminator (302nm)

Multi-fluorescence light module

Excitation light	Filters
UV Light Ex365BL	Em460/30F, UV excited dye
Bule Light Ex470BL	Em525/30F, Blue light excited dye
Green Light Ex530BL	Em585/20F, Green light excited dye
Red Light Ex630BL	Em690/45F, Red light excited dye
Near infrared Ex660BL	Em715/30F, NIR excited dye
Near infrared Ex770BL	Em810/40F, NIR excited dye

Lens

F1.2 mortorized lens

Filter Wheel

8 Sockets filter wheel

ORDER No.

Main System

NO.	Description
1801001	YR04961 Digital camera with 5.0 megapixels, F1.2 mortorized lens, UV Smart™ ultra slim UV transilluminator (302nm), 590nm filter.
1801002	YR04962 Digital camera with 5.2 megapixels, F1.2 mortorized lens, UV Smart™ ultra slim UV transilluminator (302nm), 590nm filter.
1801011	YR04963 Embedded industry computer, digital camera with 5.0 megapixels, F1.2 mortorized lens, UVSmart™ super slim UV transilluminator (302nm), 590nm filter.
1801012	YR04964 Embedded industry computer, digital camera with 5.2 megapixels, F1.2 mortorized lens, UVSmart™ super slim UV transilluminator (302nm), 590nm filter

Optional modules

NO.	Description
1801101	8 Sockets filter wheel
1801201	UVSmart™ UV Transilluminator (302nm)
1801205	Super Slim white LED Transilluminator
1801206	Super Slim blue LED Transilluminator (470nm)
1801301	UV Light Ex365BL
1801302	Bule Light Ex470BL
1801303	Green Light Ex530BL
1801304	Red Light Ex630BL
1801305	NIR Ex660BL
1801306	NIR Ex770BL
1801401	Em460/30F, UV excited dye detection
1801402	Em525/30F, Blue light excited dye detection
1801403	Em585/20F, Green light excited dye detection
1801404	Em690/45F, Red light excited dye detection
1801405	Em715/30F, NIR excited dye detection
1801406	Em810/40F, NIR excited dye detection

Software

1801901	Kalstein's image capture software
1801911	Kalstein's image analysis software



#Let'sgive more

Thanks to your purchase, a donation is made to a non-profit foundation that fights against cancer and helps vulnerable communities.



All rights reserved © KALSTEIN France S. A. S.,
 2 Rue Jean Lantier • 75001 Paris •
 +33 1 78 95 87 89 / +33 6 80 76 07 10 •
<https://kalstein.eu>
 KALSTEIN FRANCE, S.A. S.





 **Kalstein**[®]
A different accompaniment, at your service

#LETSGIVEMORE 

**WITH THE
ACQUISITION
OF A KALSTEIN
EQUIPMENT**

YOU MAKE A CONTRIBUTION TO:



Fundación
Jacinto Convit

<https://www.jacintoconvit.org/>



<https://onetreepanted.org>



Humatem

Solidarité et coopération
biomédicale

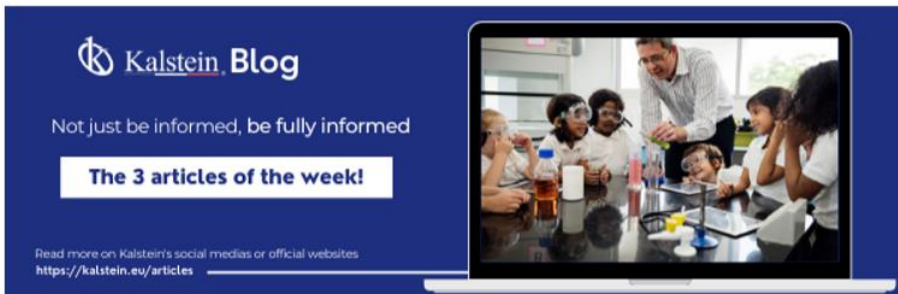
<https://www.humatem.org/>



**MANIAPURE
FOUNDATION USA**

<https://www.maniapurefoundation.org/>

Articles Kalstein
(Social Networks and Official Websites)



Kalstein Blog
Not just be informed, be fully informed

The 3 articles of the week!

Read more on Kalstein's social medias or official websites
<https://kalstein.eu/articles>

1
Read this ARTICLE NOW



How does the climate affect your microscope?

microscope is an instrument that allows observing and measuring small objects. This is achieved through the use of lenses or a system of mirrors that collect and focus light from the object being observed.

Kalstein Blog

Article of the week:
How does the climate affect your microscope?

Read more on Kalstein's social medias or official websites
<https://kalstein.eu/articles>

2
Read this ARTICLE NOW



What is the importance of the laboratory refrigerator?

Refrigerator is a device that is one of the most common equipment that is used to maintain, in a controlled environment (refrigerated space), various fluids and substances.

Kalstein Blog

Article of the week:
What is the importance of the laboratory refrigerator?

Read more on Kalstein's social medias or official websites
<https://kalstein.eu/articles>

Kalstein Training Videos
(Youtube Channel and Official Websites)



Kalstein France - Jacinto Convit Foundation / Allianc...
23 views • 3 years ago



Kalstein's Microscopes
445 views • 1 week ago



PARIS - FRANCE
HEADQUARTER
2 Rue Jean Lantier
75001 Paris - France

Tlf: +33 (0) 01 78 95 87 89
Cel: +33 (0) 6 80 76 07 10
sales@kalstein.eu

<https://kalstein.eu/>
<https://www.kalstein.fr/>

