

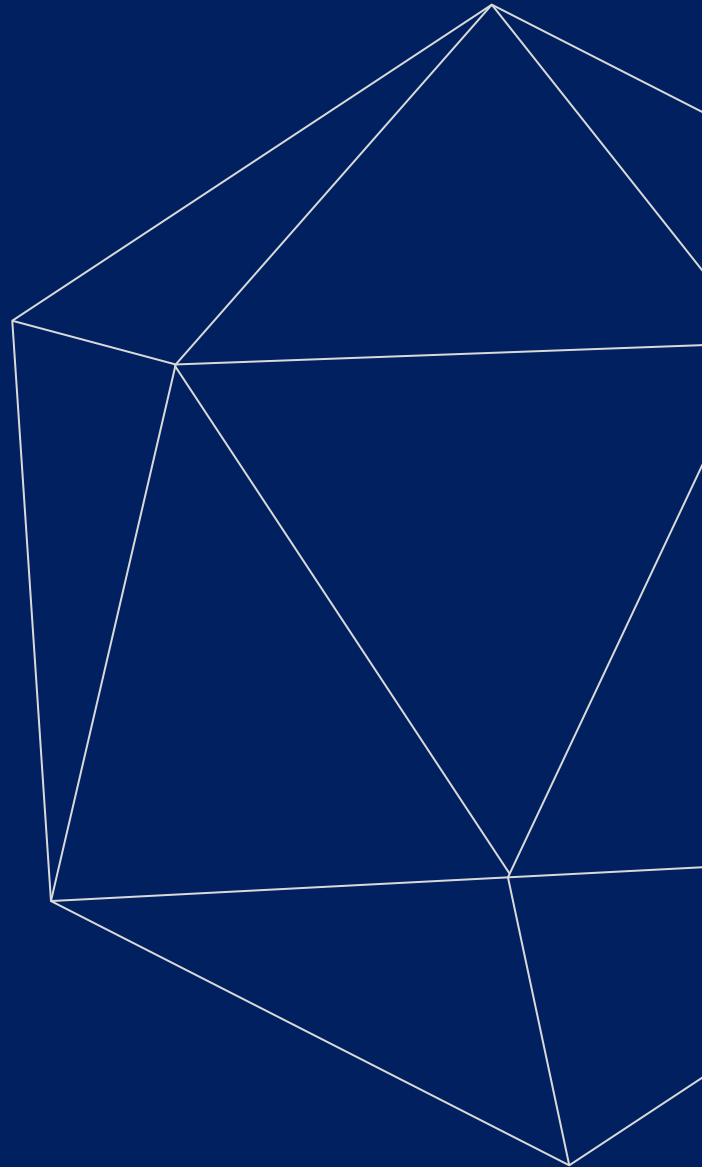


Kalstein®

A different accompaniment, at your service

LABORATORY LINES

MICROSCOPE



OUR SERVICES

Benefits and Support

In Kalstein France, we take care of the full satisfaction of our customers, that is why we provide value-added services of the highest level based on our experience.



Online Inductions and Trainings

In any part of the world, receive your induction or training from our specialized team of engineers



Quick Response

Our work team is always available to response all your consults or questions, in order to support you in any situation.



#Letsgivemore 

Thanks to your purchase, a donation will be made to a non-profit foundation that fights against breast cancer and helps most vulnerable communities.



Technical Support

Enjoy of personalized advice for the correct preventive and corrective maintenance of your equipment, thanks to Kalstein's manuals and articles, special catalogues and video tutorials.



Delivery Logistics

We take care of all the necessary logistics for the dispatch of your goods, whether is by sea, land or air.



Kalstein Worldwide

With more than 25 years growing with our customers, Kalstein's multiformat and modern content, is now present in more than 10 countries and increasing.



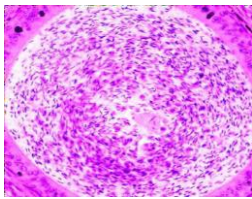
KALSTEIN® Microscope

Microscope

Model YR0A12.1061-T

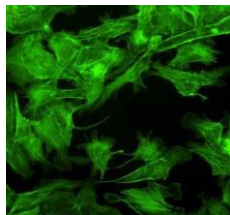


YR0A12.1061-T Laboratory Biological Microscope



Bright Field Dark
Field Phase
Contrast
Simple Polarizing
Observation Combined

Can Upgradeable To
Fluorescence
Microscope
YR0A12.1061-T



Creative Water
Immersion
Objective 100x



#Letsgivemore ♥

Thanks to your purchase, a donation will be made to a non-profit foundation that fights against breast cancer and helps most vulnerable communities.



All rights reserved © KALSTEIN France S. A. S.,
2 Rue Jean Lantier • 75001 Paris •
+33 1 78 95 87 89 / +33 6 80 76 07 10 •
<https://kalstein.eu>
KALSTEIN FRANCE, S. A. S



Excellent Optical Design



NIS Infinity Optical System

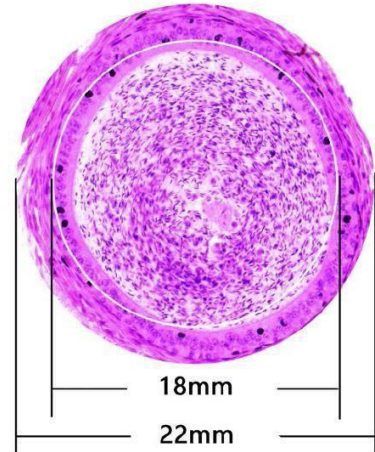
NIS Infinity Plan Objectives Can Provide High Contrast And Very Flat Image Up To F# 22. With F#22 Wide Field Eyepieces, The System Always Brings You Sharp, Excellent Resolution And High Signal To Noise Ratio Imaging.

22mm Wide Field Of View

The YR012A.1061-T Microscope Achieves The Wide Field Of 22mm View With 10x Eyepieces For A More Comprehensive Observation Content And Faster Sample Observation. The Eyepiece Adopts A Flat Field Distortion-free Design To Prevent The Edge Of The Field From Being Imaginary And Stray Light.

Various Observation Methods

With The Deepening Of Research In Various Fields, A Single Observation Mode Can No Longer Meet The Daily Scientific Research Work. As A Continually Upgradable Microscope, YR012A.1061-T Can Be Extended On Basic Models To Show A Variety Of Observation Capabilities.



YR0A12.1061-T

- Objective NIS45 Upgrade To NIS60
- Condenser Upgrade To Coded Nosepiece
- Stand Upgrade To With LCD Screen
- 1W LED Upgrade To 3W LED.

Observation Methods	Bright Field	Dark Field	Phase Contrast	Fluorescent	Simple Polarizing
	●	●	●	●	●

Multifunctional Universal Condenser

YR0A12.1061-T Offers Universal Condensers For Bright Field, Dark Field And Phase Contrast. The Observation Methods Could Be Quickly Switched By Switching The Slider. The Phase Contrast And Bright Field Slider Is Universal For 4x- 100x Objectives Also, Simple And Fast To Use. The N.A. Value Index On The Aperture Diaphragm Of The Condenser Is Easily Set To Get Exact Size Of Diaphragm To Correspond With The Different Objectives.



LED EPI-Fluorescent Illumination

Can Upgrade To Fluorescent Microscope YR0A12.1061-T Led Epi - Fluorescent Illumination Is Safety And Convenient. You Don't Need Time To Warm Up Or Cool Down. You Don't Need To Align The Bulb, And The Long Lifetime Of Led Bulb Is Up To 5000 Hours. There Are Two Filters Position Available And Switching Is Fast And Easy.



#Letsgivemore

Thanks to your purchase, a donation will be made to a non-profit foundation that fights against breast cancer and helps most vulnerable communities.



All rights reserved © KALSTEIN France S. A. S.,
 2 Rue Jean Lantier • 75001 Paris •
 +33 1 78 95 87 89 / +33 6 80 76 07 10 •
<https://kalstein.eu>
 KALSTEIN FRANCE, S. A. S



Infinity Optical System

YR0A12.1061-T Is Suitable For All Kinds Of Microscopic Using , Especially For Beginners And The Users With Long Time Micro-operation. The A12.1061 Series Of Microscopes Are Fully Optimized For The Needs Of Such Users. In Terms Of The Objectives, The Image Quality And Ease Of Use Are Achieved.



Plan Objective

By Using Infinity Plan Objectives, Flat Image With Higher Imaging Reduction Degree Over The Entire Field Of View Could Be Achieved.

100x Water-immersion Objective

Ordinary 100x Oil-immersion Objective Needs To Use Cedar Oil As The Observation Medium. After Use, It Needs To Be Cleaned With Ether Alcohol Or Xylene, Which Is Easy To Cause Air Pollution And Improper Cleaning. The Water - Immersion Objective Uses Water As A Medium To Solve The Above Problems Perfectly, Reducing The Damage To The Body And Environmental Pollution.



40x LWD Objective

The Working Distance Of 40x Objective Can Be Up To 1.5mm, Avoiding The Erosion From Residual Immersion Oil And Water When Converted From 100x To 40x Objective.

Intelligent Operating System

Use A Dimming Knob To Achieve Multiple Functions (Available In YR0A12.1061-T Series)

One Click: Enter Standby Status; Press + Up-spin: Switch To The Upper Light Source; Double Clicks: Light Lock Or Unlock; Rotation: Adjust Brightness; Press + Down-spin: Switch To The Under Light Source Press 3 Seconds: Set The Time Of Turning Off The Light After Leaving



#Letsgivemore

Thanks to your purchase, a donation will be made to a non-profit foundation that fights against breast cancer and helps most vulnerable communities.



All rights reserved © KALSTEIN France S. A. S.,
2 Rue Jean Lantier • 75001 Paris •
+33 1 78 95 87 89 / +33 6 80 76 07 10 •
<https://kalstein.eu>
KALSTEIN FRANCE, S. A. S



MICROSCOPE



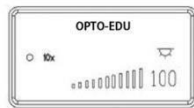
Coded Nosepiece (Available In YROA12.1061-T Series)

It Can Memorize The Illumination Brightness When Using Each Objective. When Different Objectives Are Converted To Each Other, The Light Intensity Is Automatically Adjusted To Reduce Visual Fatigue And Improve Work Efficiency.

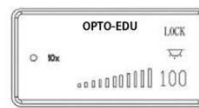


The Display Of Microscope Use State (Available In YROA12.1061-T Series)

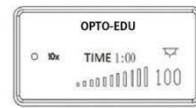
The LCD Screen On The Front Of The Microscope Can Display The Using Status Of The Microscope, Including Magnification, Light Intensity, Sleepy Model, And So On.



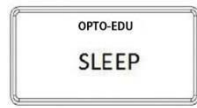
Start & Working Mode



Lock Mode



ECO Mode



Sleep Mode

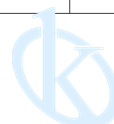
Specifications:

YROA12.1061-T Laboratory Biological Microscope, LED Fluorescent Microscope		YROA12.1061-T		YROA12.1061-T		YROA12.1061-T	
		-B	-T	-B	-T	-B	-T
Optical System	NIS Infinite Optical System	●	●	●	●	●	●
Observation Method	Bright Field	●	●	●	●	●	●
	Dark Field	○	○	○	○	○	○
	Phase Contrast	-	-	○	○	○	○
	Epi-Fluorescence	-	-	○	○	●	●
	Polarizing	○	○	○	○	○	○
Head	Seidentopf Binocular Head, Inclined At 30°, Interpupillary Distance 47-78mm, Eyepiece Tube Dia.30mm	●		●		●	
	Seidentopf Trinocular Head, Inclined At 30°, Interpupillary Distance 47-78mm, Eyepiece Tube Dia.30mm, Light Path Fixed 50:50		●		●		●
	Seidentopf Trinocular Head, Inclined At 30°, Interpupillary Distance 47-78mm, Eyepiece Tube Dia.30mm, Light Path Switchable 0:100/100:0	○	○	○	○	○	○
	Tilting Binocular Head, Inclined 5°~35°, Interpupillary Distance 47-78mm, Eyepiece Tube Dia.30mm	○	○	○	○	○	○
	Digital Head, Built-in Digital Camera 5.0M, Support Android, IOS, Windows, Output Image By WIFI In Real Time	○	○	○	○	○	○
	Digital Head, Built-in Wireless Digital Camera 5.0M, Support Android, IOS, Windows, Output Image By WIFI In Real Time, App Software, By Scanning QR Code On Microscope, Installing App & Identifying Microscope, You Can View Micro Image On Mobile Phone & Tablet.	-	-	○	○	-	-



#Letsgivemore ♥

Thanks to your purchase, a donation will be made to a non-profit foundation that fights against breast cancer and helps most vulnerable communities.



All rights reserved © KALSTEIN France S. A. S.,
2 Rue Jean Lantier • 75001 Paris •
+33 1 78 95 87 89 / +33 6 80 76 07 10 •
<https://kalstein.eu>
KALSTEIN FRANCE, S. A. S



MICROSCOPE

Eyepiece	EW10x/22mm, Diopter Adjustable, Dia.30mm	●	●	●	●	●	●
	EW15x/16mm, Diopter Adjustable, Dia.30mm	○	○	○	○	○	○
	EW20x/12mm, Diopter Adjustable, Dia.30mm	○	○	○	○	○	○
Nosepiece	Quintuple Nosepiece, Dovetail Interface	●	●	-	-	-	-
	Coded Quintuple Nosepiece, Dovetail Interface	-	-	●	●	●	●
NIS45 Infinity Plan Objective	4x/0.10, W.D.20.6mm	●	●	-	-	-	-
	10x/0.25, W.D.17.9mm	●	●	-	-	-	-
	20x/0.40, W.D.6.40mm	○	○	-	-	-	-
	40x/0.60, W.D.1.50mm	●	●	-	-	-	-
	60x/0.80, W.D.0.30mm	○	○	-	-	-	-
	100x/1.25(Oil), W.D.0.16mm	●	●	-	-	-	-
	100x/1.10(Water), W.D.0.16mm	○	○	-	-	-	-
NIS60 Infinity Plan Objective	4x/0.10, W.D.30.0mm	-	-	●	●	●	●
	10x/0.25, W.D.10.2mm	-	-	●	●	●	●
	20x/0.40, W.D.4.8mm	-	-	○	○	○	○
	40x/0.65, W.D.1.5mm	-	-	●	●	●	●
	60x/0.80, W.D.0.30mm	-	-	○	○	○	○
	100x/1.25(Oil), W.D.0.3mm	-	-	●	●	●	●
NIS60 Infinity Plan Phase Contrast Objectiv e	10x/0.25, W.D.10.2mm	-	-	○	○	○	○
	20x/0.40, W.D.12.0mm	-	-	○	○	○	○
	40x/0.65, W.D.0.7mm	-	-	○	○	○	○
	100x/1.25(Oil), W.D.0.2mm	-	-	○	○	○	○
Focusing	Coaxial Coarse & Fine Adjustment, Tension Adjustable, Fine Division 0.002mm, Coarse Focusing Range 28mm	●	●	●	●	●	●
Working Stage	Double Layer Mechanical Rackless Stage, Size 230x150mm, Moving Range 78x54mm	●	●	-	-	-	-
	Double Layer Mechanical Rackless Stage, Size 230x150mm, Moving Range 78x54mm, Anti-Scratch Hard Coating Dural Platform	-	-	●	●	●	●
Condenser	Inserted Abbe Condenser N.A. 1.25, With Slot For Phase Contrast Slide And Dark Field Slide.	●	●	●	●	●	●
Illumination	1W S-LED Critical Illumination	●	●	-	-	-	-
	3W S-LED Kohler Illumination	-	-	●	●	●	●
	Green Filter	●	●	●	●	●	●
Dark Field	Dark Field Slide	○	○	○	○	○	○
Polarizing	Simple Polarizing Set	○	○	○	○	○	○
Phase Contrast	Phase Slider For 10x-40x	○	○	○	○	○	○
	Phase Slider For 100x	○	○	○	○	○	○
Epi- Fluorescence Attachment	3W LED Epi-Fluorescence Attachment, Fly- Eye Lens Illumination, With 2 Filter Position +Bright Field Position, Switch Quickly, With Attachable UV Shield, B, G Filters	○	○	○	○	●	●
	Filter U	○	○	○	○	○	○
	Filter V	○	○	○	○	○	○
Photo Adapter	1.0x C-Mount	○	○	○	○	○	○
	0.5x C-Mount	○	○	○	○	○	○
Power Supply	AC 100-240V,50/60Hz	●	●	●	●	●	●
	USB Charging Port, Support To Use Exeternal Rechargeable Battery Power Bank Like Mobile Phone Out Door Freely	●	●	●	●	●	●
LCD Screen	LCD Screen On Front Of Body, Display Using State Of Microscope, Including Magnification, Light Intensity, Standby Status, Set Power OffTimer 5 Mins to 8 Hours, And So On.	-	-	●	●	●	●
Dimensions	220(W)x290(D)x472(H) mm	●	●	●	●	●	●



#Letsgivemore ♥

Thanks to your purchase, a donation will be made to a non-profit foundation that fights against breast cancer and helps most vulnerable communities.



All rights reserved © KALSTEIN France S. A. S.,
2 Rue Jean Lantier • 75001 Paris •
+33 1 78 95 87 89 / +33 6 80 76 07 10 •
<https://kalstein.eu>
KALSTEIN FRANCE, S. A. S



This Is An Unbounded Microscope

YR0A12 Has The Multifunctional Digital Head, The User Does Not Have To Be Confined In Front Of The Microscope. Instead, It Can Be Used For Mobile Microscope Teaching And Outdoor Field Observation Through Mobile Terminals And External Mobile Power. The Objective, Eyepiece, And Observation Tube Are Effectively Anti-mold Treated, So You Can Ensure A Consistently Clear Image And Extend The Life Of The Microscope, Even When Working In Hot And Humid Environments.



YR0A12 Digital Microscope, WIFI & USB

Built-in Camera 5.0M, USB 2.0 or WIFI Output, Supporting Android, IOS, Windows Operating System, Wired And Wifi Modes The Image Under The Microscope Can Be Output To The External Device In Real Time, And There Is No Data Line Connection, And The Operator Can Move More Freely.

Professional Microscopic Imaging Software

Microscopic Imaging Observation, Analysis and Processing Can Be Performed On External Devices, Including Photographing, Measurement, Image Adjustment, Storage, Synthesis, Etc.



Mobile Devices Perform Image Browsing And Processing By Scanning Code

WIFI Digital Microscope, By Scanning The Qr Code On The Microscope, Installing The App And Identifying The Microscope, You Can View The Microscopic Image On Your Phone And Tablet.



External Rechargeable Battery

A USB Charging Port Is Reserved On The Body, Which Can Be Used As A Microscope Power Source. This Microscope Can Also Be Used Outside And During Power Outages To Get Rid Of The Microscope's Dependence On The Power Outlet.



#Letsgivemore ♥

Thanks to your purchase, a donation will be made to a non-profit foundation that fights against breast cancer and helps most vulnerable communities.



All rights reserved © KALSTEIN France S. A. S.,
2 Rue Jean Lantier • 75001 Paris •
+33 1 78 95 87 89 / +33 6 80 76 07 10 •
<https://kalstein.eu>
KALSTEIN FRANCE, S. A. S



Easier To Store, Transport And Store

The Microscope Is Compact And Can Be Placed In An Ordinary Classroom Closet. It Has A Special Carrying Handle, And Is Also Lightweight And Stable. The Microscope Back Plate Is Designed With A Hub Device To Effectively Store The Long Power Cord, Improve The Cleanliness Of The Laboratory, And Reduce The Tripping Accident Caused By The Long Power Cord During The Carrying Process. The Wooden Storage Box Is An Optional Accessory That Is Very Convenient For Storage And Carrying.



Ergonomic Design

In Daily Scientific Research Teaching And Pathological Diagnosis, Working In Front Of The Microscope For A Long Time Has Become The Norm, And The Consequent Use Fatigue Often Leads To Physical Discomfort, Thereby Reducing Work Efficiency And Effectiveness. This A12.1061 Microscope Uses An Ergonomic Design, High Eye-point, Low-hand Focus Mechanism, Low-hand Stage And Other Ergonomic Designs To Ensure The User Can Perform Microscope Operation In The Most Comfortable Situation. . The Focus Knob, Illumination Control Knob And Stage Handle Are All In Close Proximity. The User Can Put Both Hands On The Table While Working, And Can Operate A12.1061 With Minimal Movement.



#Letsgivemore ♥

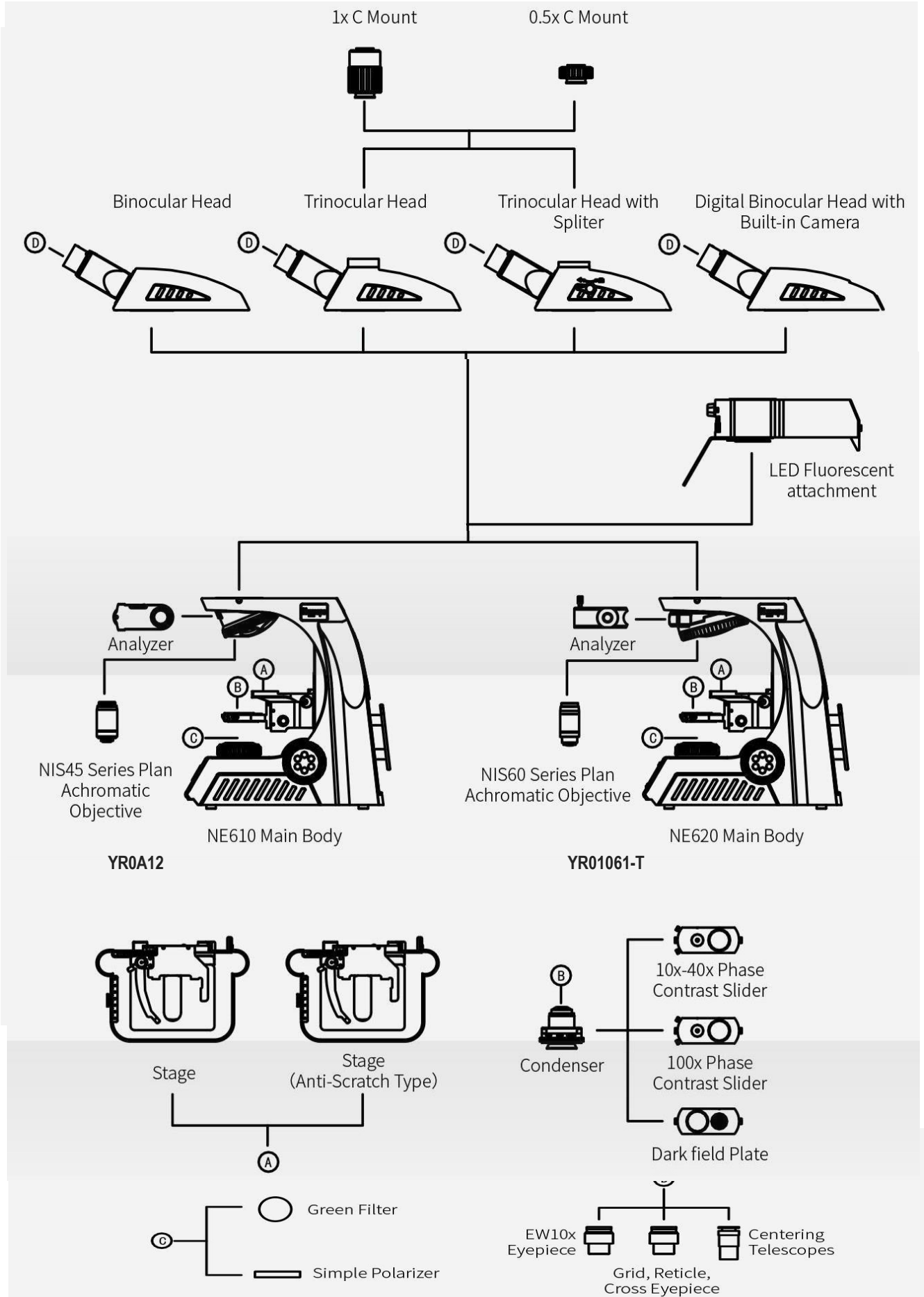
Thanks to your purchase, a donation will be made to a non-profit foundation that fights against breast cancer and helps most vulnerable communities.



All rights reserved © KALSTEIN France S. A. S.,
2 Rue Jean Lantier • 75001 Paris •
+33 1 78 95 87 89 / +33 6 80 76 07 10 •
<https://kalstein.eu>
KALSTEIN FRANCE, S. A. S



System Diagram



#Letsgivemore

Thanks to your purchase, a donation will be made to a non-profit foundation that fights against breast cancer and helps most vulnerable communities.



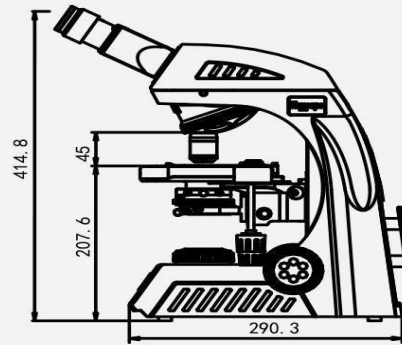
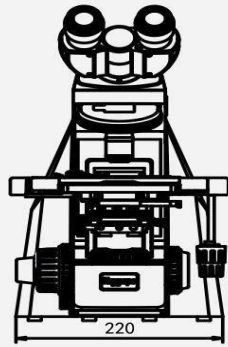
All rights reserved © KALSTEIN France S. A. S.,
 2 Rue Jean Lantier • 75001 Paris •
 +33 1 78 95 87 89 / +33 6 80 76 07 10 •
<https://kalstein.eu>
 KALSTEIN FRANCE, S. A. S.



YR0A12.1061-T

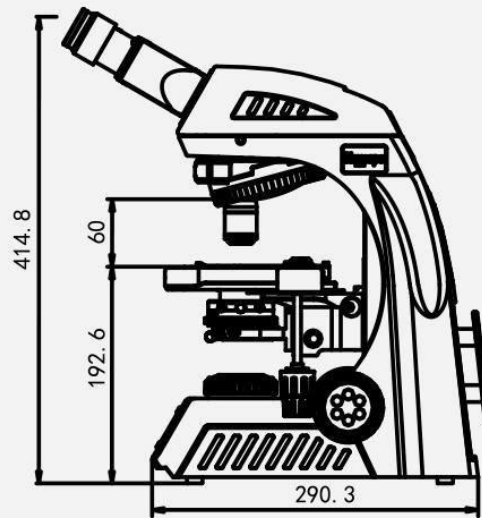
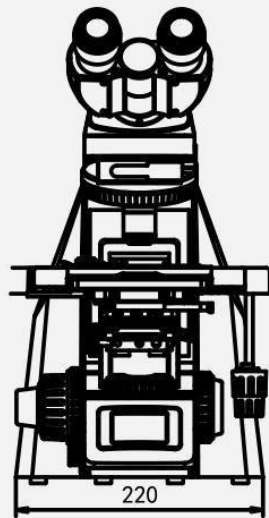
Unit: mm

Dimension



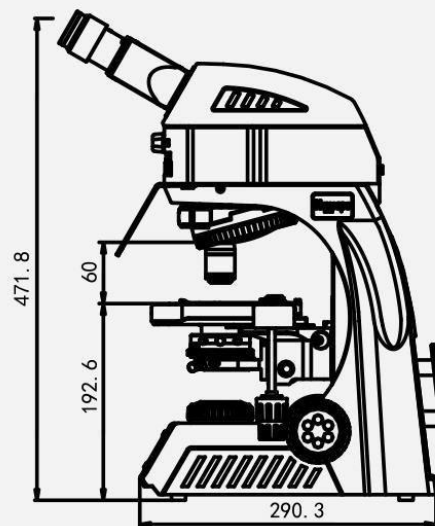
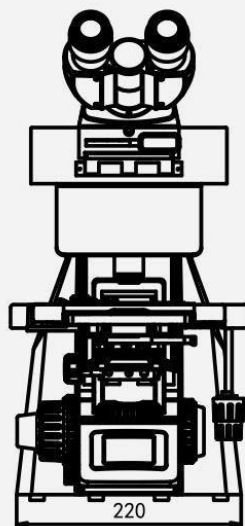
YR0A12.1061-T

Unit: mm



YR0A12.1061-T

Unit: mm



#Let'sgive **more** ❤️

Thanks to your purchase, a donation will be made to a non-profit foundation that fights against breast cancer and helps most vulnerable communities.



All rights reserved © KALSTEIN France S. A. S.,
 2 Rue Jean Lantier • 75001 Paris •
 +33 1 78 95 87 89 / +33 6 80 76 07 10 •
<https://kalstein.eu>
 KALSTEIN FRANCE, S. A. S





Kalstein[®]

A different accompaniment, at your service

#LETSGIVEMORE 

**WITH THE ACQUISITION
OF A KALSTEIN
EQUIPMENT**

YOU MAKE A CONTRIBUTION TO:



**Fundación
Jacinto Convit**

<https://www.jacintoconvit.org/>



<https://onetreepanted.org>



Humatem

Solidarité et coopération
biomédicale

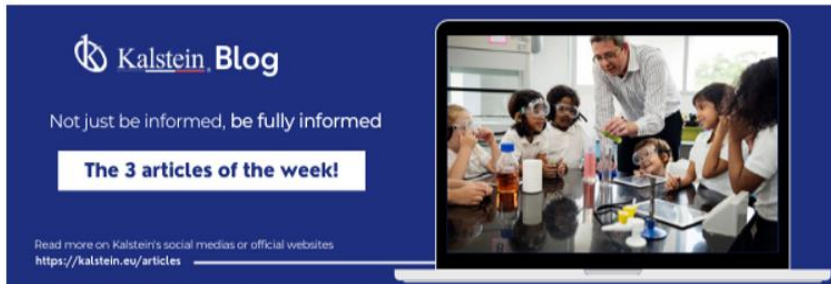
<https://www.humatem.org/>



**MANIAPURE
FOUNDATION USA**

<https://www.maniapurefoundation.org/>

Articles Kalstein
(Social Networks and Official Websites)



Kalstein Blog
Not just be informed, be fully informed
The 3 articles of the week!
Read more on Kalstein's social medias or official websites
<https://kalstein.eu/articles>



PARIS - FRANCE
HEADQUARTER
2 Rue Jean Lantier
75001 Paris - France

Tlf: +33 (0) 01 78 95 87 89
Cel: +33 (0) 6 80 76 07 10
sales@kalstein.eu

<https://kalstein.eu/>
<https://www.kalstein.fr/>

1
Read this ARTICLE NOW



How does the climate affect your microscope?
Microscopes in a laboratory are delicate working instruments. They require a stable environment. This is where broad temperature ranges and humidity can affect the results. Which form

Kalstein Blog

Article of the week:
How does the climate affect your microscope?

Read more on Kalstein's social medias or official websites
<https://kalstein.eu/articles>

2
Read this ARTICLE NOW



What is the importance of the laboratory refrigerator?
Refrigerator in a laboratory is one of the most important equipment. It is used to maintain in a controlled environment (refrigerated space), various fluids and substances.

Kalstein Blog

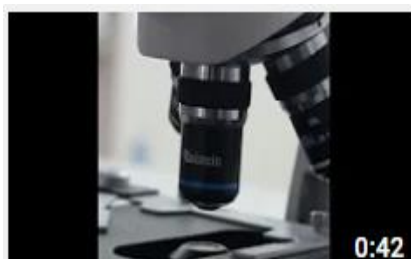
Article of the week:
What is the importance of the laboratory refrigerator?

Read more on Kalstein's social medias or official websites
<https://kalstein.eu/articles>

Kalstein Training Videos
(Youtube Channel and Official Websites)



Kalstein France - Jacinto Convit Foundation / Allianc...
23 views • 3 years ago



Kalstein's Microscopes
445 views • 1 week ago

