



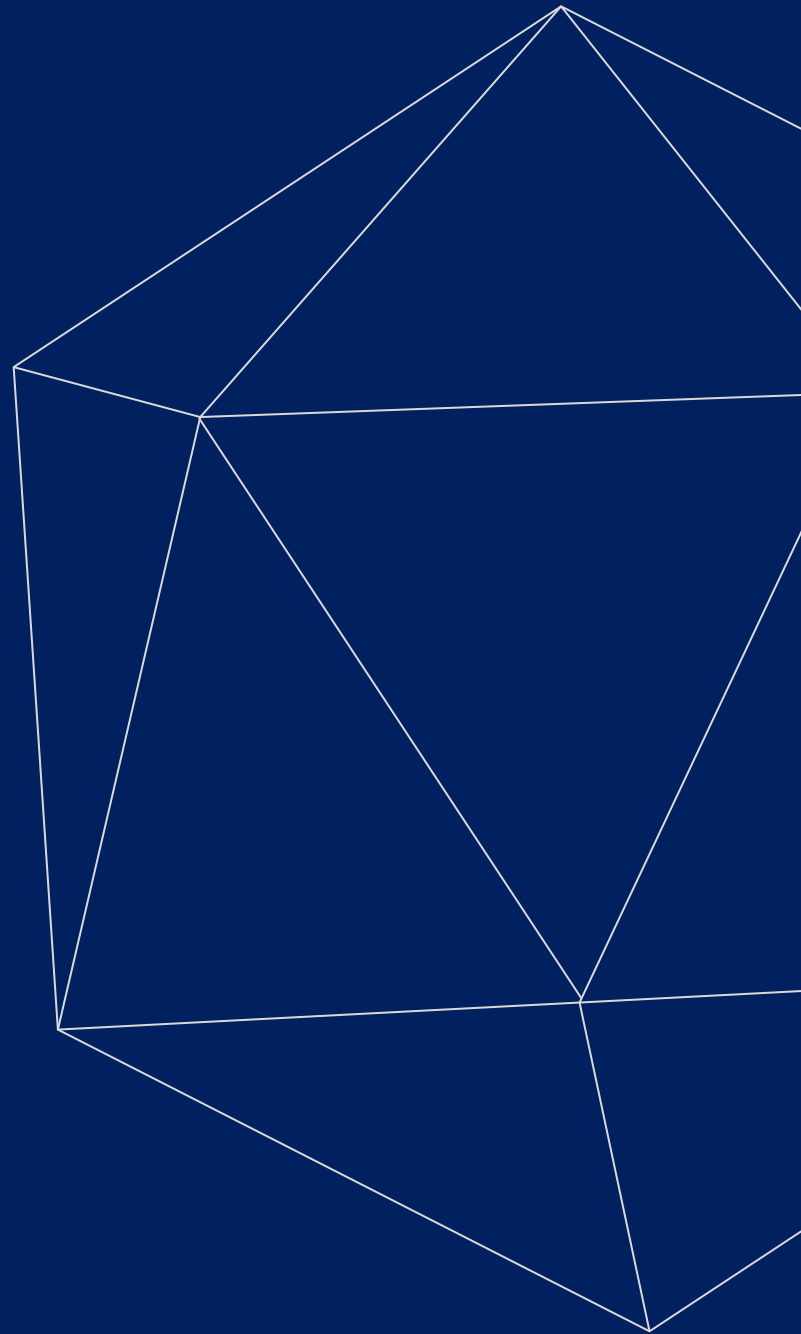
LABORATORY LINES

REFRIGERATORS AND
FREEZERS



Kalstein®

A different accompaniment, at your service





Kalstein®

A different accompaniment, at your service

OUR SERVICES

Benefits and Support

In Kalstein France, we take care of the full satisfaction of our customers, that is why we provide value-added services of the highest level based on our experience.



Online Inductions and Trainings

In any part of the world, receive your induction or training from our specialized team of engineers



Quick Response

Our work team is always available to response all your consults or questions, in order to support you in any situation.



#Letsgivemore ♥

Thanks to your purchase, a donation is made to a non-profit foundation that fights against cancer and helps vulnerable communities.



Technical Support

Enjoy of personalized advice for the correct preventive and corrective maintenance of your equipment, thanks to Kalstein's manuals and articles, special catalogues and video tutorials.



Delivery Logistics

We take care of all the necessary logistics for the dispatch of your goods, whether is by sea, land or air.

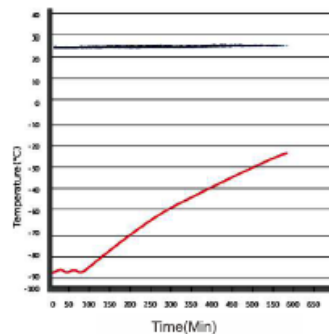


Kalstein Worldwide

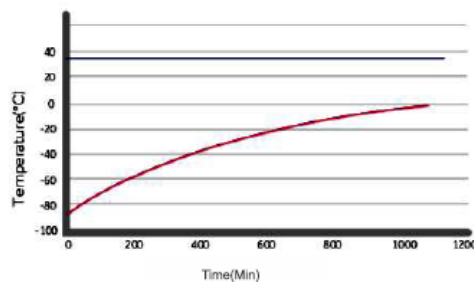
With more than 25 years growing with our customers, Kalstein's multiformat and modern content, is now present in more than 10 countries and increasing.



-40 °C To -86° Ultra Low Freezer 588L Series YR05107 (Self Cascade System)



Pull-up test at 25°C ambient



Pull-up test at 32°C ambient

This product is specially designed and manufactured for long term storage of various biological product, including viruses, germs, erythrocytes, leucocytes and cutis. Applications can be found in blood banks, hospitals, epidemic prevention services, and research institutes, laboratories in electronic and chemical plants. Biological engineering institutes and marine fishery companies

Safety

- ✓ Malfunction alarms including high and low temperature, power failure, sensor error, clean-filter, and extremely high ambient, abnormal voltage, thermostat failure, low battery, condenser clean, door ajar.
- ✓ Capable of producing two types of alarm outputs, audible buzzer and visible flashing light .
- ✓ Door open feature standard and USB port for temperature data downloading standard on upright models.
- ✓ Remote alarm contacts.

Installation and Application

- ✓ Wide range operating voltage system from 187V to 242V designed to allow units installed in areas with poor voltage condition.
- ✓ Suitable for 10°C to 32°C ambient temperature.

Filed Proven Reliability

- ✓ Unique insulated inner door design for four separate storage compartments to minimize frost buildup inside the chamber.
- ✓ Specialized control system design for a well-balanced operation of cascade refrigeration system.
- ✓ Positive filed proven reliability record.

Key Design Features

- ✓ Microprocessor-controlled system designed for controlled range of -40°C to -86°C for cabinet space with 1°C increment
- ✓ Settable high temperature and low temperature alarms.
- ✓ Automatic clean-filter alarm and sensor error alert.
- ✓ Adjustable storage shelf height
- ✓ Optional temperature recorder, storage racks and storage box

Energy saving:

- ✓ Unique door seal design for the minimum loss of cold temperature during a door opening.
- ✓ High performance VIP insulation panel to minimize cabinet heat gain and to improve temperature stability.



#Let'sgive more ♥

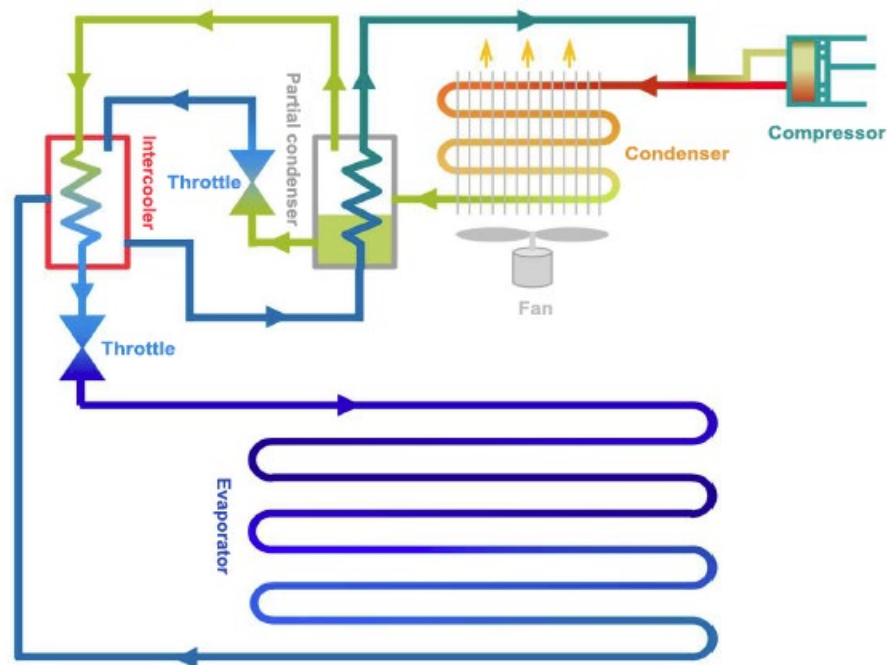
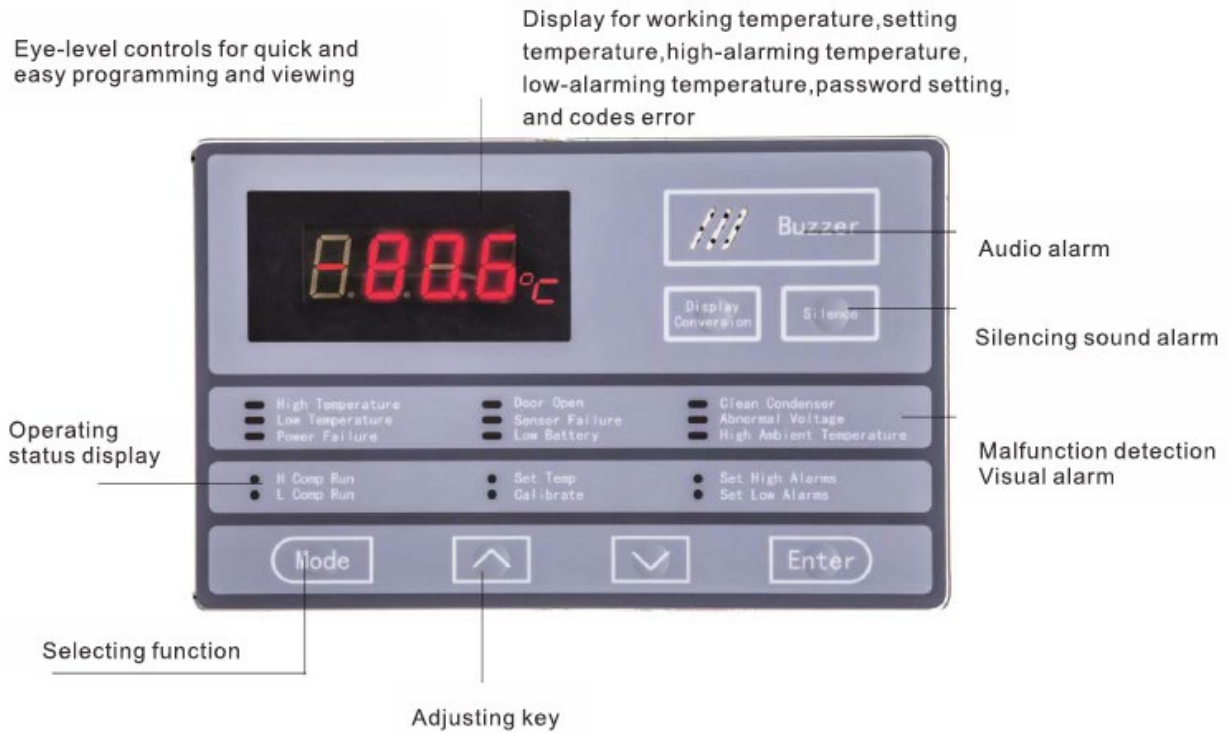
Thanks to your purchase, a donation is made to a non-profit foundation that fights against cancer and helps vulnerable communities.



All rights reserved © KALSTEIN France S. A. S.,
2 Rue Jean Lantier • 75001 Paris •
+33 1 78 95 87 89 / +33 6 80 76 07 10 •
<https://kalstein.eu>
KALSTEIN FRANCE, S. A. S



-40 °C To -86 ° Ultra Low Freezer 588L Series YR05107 (Self Cascade System)



#Letsgivemore ♥
Thanks to your purchase, a donation is made to a non-profit foundation that fights against cancer and helps vulnerable communities.



All rights reserved © KALSTEIN France S. A. S.,
2 Rue Jean Lantier • 75001 Paris •
+33 1 78 95 87 89 / +33 6 80 76 07 10 •
<https://kalstein.eu>
KALSTEIN FRANCE, S.A. S



ULTRA LOW FREEZER

-40 °C To -86° Ultra Low Freezer 588L Series YR05107 (Self Cascade System)

 Energy-saving and environmental friendly



3 individual inner doors can be opened independently to minimize frost buildup inside the chamber.
Unique door seal design for the minimum loss of cold temperature during a door opening.
Stainless Steel inner handle to ensure the door open conveniently even in the case of frost.



Excellent Doors Seals 5 gasket seal, 4 seals for out door, 1 seal for inner door which provides maximum protection against thermal intrusion



Big Door handle, easy to open



Sample port on back for temperature monitoring conveniently



Controller Panel with press button Alarm status shows on it, easy for attention



Big condenser for better heat dissipation, Ambient Temperature sensor



#Let'sgive more ♥

Thanks to your purchase, a donation is made to a non-profit foundation that fights against cancer and helps vulnerable communities.



All rights reserved © KALSTEIN France S. A. S.,
2 Rue Jean Lantier • 75001 Paris •
+33 1 78 95 87 89 / +33 6 80 76 07 10 •
<https://kalstein.eu>
KALSTEIN FRANCE, S. A. S.



-40 °C To -86 ° Ultra Low Freezer 588L Series YR05107 (Self Cascade System)



| | Model | YR05107 | YR05296 | YR05108 | YR05109 | YR05110 | YR05111 |
|--------------------|-------------------------------------|-------------------------|-------------------------|-------------------------|-------------------------|-------------------------|-------------------------|
| Specifications | Shelf/drawer QTY | Stainless steel shelf/2 | Stainless steel shelf/3 | Stainless steel shelf/3 | Stainless steel shelf/3 | Stainless steel shelf/3 | Stainless steel shelf/3 |
| | Cooling | Direct cooling | Direct cooling | Direct cooling | Direct cooling | Direct cooling | Direct cooling |
| | Defrost | Manual | Manual | Manual | Manual | Manual | Manual |
| | Refrigerant | Mixed-gas | Mixed-gas | Mixed-gas | Mixed-gas | Mixed-gas | Mixed-gas |
| | Power Consumption(kWh/24h) | 8.2 | 11.2 | 12 | 16.5 | 20 | 18.8 |
| | Noise (db) | 52 | 52 | 50 | 53 | 50 | 55 |
| | Ambient temperature (°C) | 10~32°C | 10~32°C | 10~32°C | 10~32°C | 10~32°C | 10~32°C |
| Cooling system | Temperature range (°C) | -40~-86°C | -40~-86°C | -40~-86°C | -40~-86°C | -40~-86°C | -40~-86°C |
| | Compressor brand/QTY | CUBIGEL/1 | SECOP/1 | SECOP/1 | SECOP/2 | SECOP/2 | SECOP/2 |
| | Sensor | PTC | PTC | PTC | PTC | PTC | PTC |
| | Temperature controller | Microprocessor | Microprocessor | Microprocessor | Microprocessor | Microprocessor | Microprocessor |
| | Display | Digital display | Digital display | Digital display | Digital display | Digital display | Digital display |
| | Voltage/frequency (V/Hz) | 220/50Hz | 220/50Hz | 220/50Hz | 220/50Hz | 220/50Hz | 220/50Hz |
| | Power | Power (W) | 660W | 810W | 890W | 1500W | 1400W |
| Current (A) | | 4.3A | 5A | 4.6A | 9.1A | 8.8 | 9.8A |
| Inside material | | Stainless steel | Stainless steel | Stainless steel | Stainless steel | Stainless steel | Stainless steel |
| Material | Outside material | Color sprayed steel | Color sprayed steel | Color sprayed steel | Color sprayed steel | Color sprayed steel | Color sprayed steel |
| | Insulation | PURF | PURF | PURF | PURF | PURF | PURF |
| | Capacity (L/cu.ft) | 188/6.63 | 340/12 | 408/14.40 | 588/20.76 | 728/25.7 | 838/29.59 |
| Size | NT/GT. (kg) | 174/224 | 222/283.5 | 234/291 | 290/360 | 374/394 | 344/430 |
| | Exterior size(W*D*H)(mm) | 850*930*1595 | 875*980*1900 | 890*930*1945 | 880*1090*1995 | 1229*1012*1994.5 | 1175*1075*1990 |
| | Interior size(W*D*H)(mm) | 465*465*830 | 488*607*1140 | 606*575*1180 | 606*738*1310 | 963*571*1350 | 894*718*1310 |
| | Package size(W*D*H)(mm) | 880*910*1820 | 935*1070*2130 | 955*955*2100 | 970*1140*2190 | 1320*970*2185 | 1270*1100*2185 |
| | CBM | 1.46 | 2.13 | 1.92 | 2.42 | 2.79 | 3.05 |
| | 20GP/40GP/40HQ | 12/26/26 | 12/24/24 | 12/24/24 | 12/24/24 | 10/21/21 | 8/18/18 |
| | Racks | 9(4X3) | 12(4X4) | 16(5X4,4X4) | 16(5X5) | 24(5*4,6*4) | 24(5X5) |
| Frozen Racks | Boxes (2 Inches) | 108 | 192 | 288 | 400 | 604 | 600 |
| | Samples(2ml) | 10800 | 19200 | 28800 | 40000 | 50400 | 60000 |
| | High/low temperature | Y | Y | Y | Y | Y | Y |
| Alarm | Power failure | Y | Y | Y | Y | Y | Y |
| | Abnormal voltage | Y | Y | Y | Y | Y | Y |
| | Sensor error | Y | Y | Y | Y | Y | Y |
| | Filter screen check | Y | Y | Y | Y | Y | Y |
| | Thermostat failure | Y | Y | Y | Y | Y | Y |
| | Low battery | Y | Y | Y | Y | Y | Y |
| | Condenser clean | Y | Y | Y | Y | Y | Y |
| | High ambient temperature | Y | Y | Y | Y | Y | Y |
| | Door ajar | Y | Y | Y | Y | Y | Y |
| | Power failure backup system (alarm) | 72h | 72h | 72h | 72h | 72h | 72h |
| | Inside door | 3 | 2 | 2 | 2 | 2 | 2 |
| | Test hole QTY/diameter | 1/25MM | 1/25MM | 1/25MM | 1/25MM | 1/25MM | 1/25MM |
| | Accessories | USB port | Y | Y | Y | Y | Y |
| Chart recorder | | / | / | / | / | / | / |
| Data logger | | Optional | Optional | Optional | Optional | Optional | Optional |
| Remote alarm port | | Y | Y | Y | Y | Y | Y |
| CO2 back up system | | Optional | Optional | Optional | Optional | Optional | Optional |
| Optional | LN2 back up system | Optional | Optional | Optional | Optional | Optional | Optional |
| | Other | Certification | ISO.CE | ISO.CE | ISO.CE | ISO.CE | ISO.CE |



#Letsgivingmore 🍀

Thanks to your purchase, a donation is made to a non-profit foundation that fights against cancer and helps vulnerable communities.



All rights reserved © KALSTEIN France S. A. S.,
2 Rue Jean Lantier • 75001 Paris •
+33 1 78 95 87 89 / +33 6 80 76 07 10 •
<https://kalstein.eu>
KALSTEIN FRANCE, S.A. S





 **Kalstein**[®]
A different accompaniment, at your service

#LETSGIVEMORE 

**WITH THE
ACQUISITION
OF A KALSTEIN
EQUIPMENT**

YOU MAKE A CONTRIBUTION TO:

 **Fundación
Jacinto Convit**
<https://www.jacintoconvit.org/>

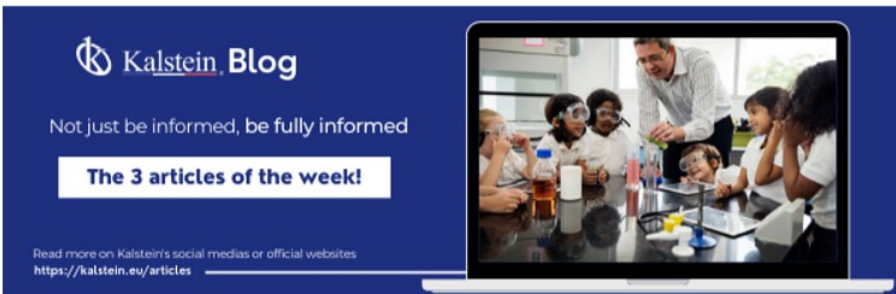
 **ONE
TREE
PLANTED**

<https://onetreepanted.org>

 **Humatem**
Solidarité et coopération
biomédicale
<https://www.humatem.org/>

 **MANIAPURE
FOUNDATION USA**
<https://www.maniapurefoundation.org/>

Articles Kalstein
(Social Networks and Official Websites)



Kalstein Blog
Not just be informed, be fully informed
The 3 articles of the week!
Read more on Kalstein's social medias or official websites
<https://kalstein.eu/articles>



1
Read this ARTICLE NOW
How does the climate affect your microscope?
A microscope is an instrument that allows observing and measuring objects at a very small scale. This is achieved through a complex system of lenses and mirrors, which form...

Kalstein Blog
Article of the week:
How does the climate affect your microscope?
Read more on Kalstein's social medias or official websites
<https://kalstein.eu/articles>



2
Read this ARTICLE NOW
What is the importance of the laboratory refrigerator?
A refrigerator is a device that is one of the most common pieces of equipment used in laboratories. It is a controlled environment (refrigerated space), various fluids and substances...

Kalstein Blog
Article of the week:
What is the importance of the laboratory refrigerator?
Read more on Kalstein's social medias or official websites
<https://kalstein.eu/articles>

Kalstein Training Videos
(Youtube Channel and Official Websites)



Kalstein France - Jacinto Convit Foundation / Alliances
23 views • 3 years ago



Kalstein's Microscopes
445 views • 1 week ago



PARIS - FRANCE
HEADQUARTER
2 Rue Jean Lantier
75001 Paris - France

Tlf: +33 (0) 01 78 95 87 89
Cel: +33 (0) 6 80 76 07 10
sales@kalstein.eu

<https://kalstein.eu/>
<https://www.kalstein.fr/>

