



LABORATORY SECTOR

MICROSCOPE



Kalstein®

A different accompaniment, at your service





Kalstein®

A different accompaniment, at your service

OUR SERVICES

Benefits and Support

In Kalstein France, we take care of the full satisfaction of our customers, that is why we provide value-added services of the highest level based on our experience.



Online Inductions and Trainings

In any part of the world, receive your induction or training from our specialized team of engineers



Quick Response

Our work team is always available to response all your consults or questions, in order to support you in any situation.



#Letsgivemore

Thanks to your purchase, a donation will be made to a non-profit foundation that fights against breast cancer and helps most vulnerable communities.



Technical Support

Enjoy of personalized advice for the correct preventive and corrective maintenance of your equipment, thanks to Kalstein's manuals and articles, special catalogues and video tutorials.



Delivery Logistics

We take care of all the necessary logistics for the dispatch of your goods, whether is by sea, land or air.



Kalstein Worldwide

With more than 25 years growing with our customers, Kalstein's multiformat and modern content, is now present in more than 10 countries and increasing.



KALSTEIN® Microscope
Laboratory Biological Microscope
Model YR05787-1A



#Letsgivemore ♥

Thanks to your purchase, a donation will be made to a non-profit foundation that fights against breast cancer and helps most vulnerable communities.



All rights reserved © KALSTEIN France S. A. S.,
2 Rue Jean Lantier • 75001 Paris •
+33 1 78 95 87 89 / +33 6 80 76 07 10 •
<https://kalstein.eu>
KALSTEIN FRANCE, S. A. S



KALSTEIN® Microscope Laboratory Biological Microscope Model YR05787-1A



Product Details



Seidentopf Head

Inclined 30°, Rotatable 360°, Interpupillary Distance 48-75mm, High Eyepoint Eyepiece, Which Is Convenient For People With Different Sitting Height; The Integrated Design Of The Eyepiece Lens Barrel, Avoids The Loss And Contamination Of The Eyepiece And Enhances The Integrated Performance Of The Microscope



Quadruple, Backward

4 Sets Objective Available: Achromatic, Plan, Infinity E-Plan, Infinity Plan.



Double Slide Holder Working Stage Mechanical Stage
Size: 145 mm×140mm, Travel: 76mmX52mm, Scale: 0.1mm



Coaxial Coarse & Fine Focusing



Wire Winding Device



Holding Hole On Back



#Letsgivemore

Thanks to your purchase, a donation will be made to a non-profit foundation that fights against breast cancer and helps most vulnerable communities.



All rights reserved © KALSTEIN France S. A. S.,
2 Rue Jean Lantier • 75001 Paris •
+33 1 78 95 87 89 / +33 6 80 76 07 10 •
<https://kalstein.eu>
KALSTEIN FRANCE, S. A. S.



KALSTEIN® Microscope Laboratory Biological Microscope Model YR05787-1A



Condenser & Light Source
Abbe Condenser N.A.1.25, Iris Diaphragm, Rack & Pinion Up/Down, With Filter Holder

3W-LED Illumination Systems

Powered By Safety Low Voltage Charger
Input Wide Voltage 100V-240V, Output 5V1A,
Support Power Bank Supply For Outdoor Use



Different Color Available To Customize Your Model!



#Letsgivemore ♥

Thanks to your purchase, a donation will be made to a non-profit foundation that fights against breast cancer and helps most vulnerable communities.



All rights reserved © KALSTEIN France S. A. S.,
2 Rue Jean Lantier • 75001 Paris •
+33 1 78 95 87 89 / +33 6 80 76 07 10 •
<https://kalstein.eu>
KALSTEIN FRANCE, S. A. S



Product Specification



Items	YR05787-1A Biological Microscope Specification	-A	-AT	-B	-BT	-C	-CT	-D	-DT
Head	Seidentopf Binocular Head Inclined 30°, Rotatable 360°, Interpupillary Distance 48-75mm	●	○	●	○	●	○	●	○
	Seidentopf Trinocular Head Inclined 30°, Rotatable 360°, Interpupillary Distance 48-75mm, Light Split Fixed P20:E80	○	●	○	●	○	●	○	●
Eyepiece	WF10x/18mm	●●	●●						
	WF10X/20mm (High Eyepoint)			●●	●●	●●	●●	●●	●●
Nosepiece	Quadruple, Backward	●	●	●	●	●	●	●	●
	Quintuple, Backward	○	○	○	○	○	○	○	○
Achromatic Objective	4x/0.1, W.D.=18.6mm	●	●						
	10x/0.25, W.D.=6.5mm	●	●						
	20x/0.40, W.D.=1.75mm	○	○						
	40x/0.6(S), W.D.=0.47mm	●	●						
	60x/0.80(S), W.D.=0.10mm	○	○						
	100x/1.25(S,O), W.D.=0.07mm	●	●						
Plan Objective	4x/0.1, W.D.=14.5mm			●	●				
	10x/0.25, W.D.=5.65mm			●	●				
	20x/0.40, W.D.=5.65mm			○	○				
	40x/0.6(S), W.D.=0.85mm			●	●				
	100x/1.25(S,O), W.D.=0.07mm			●	●				
Infinity E-Plan Objective	EPLAN 4x/0.10, W.D.=12.1mm					●	●		
	EPLAN 10x/0.25, W.D.=4.14mm					●	●		
	EPLAN 20x/0.4					○	○		
	EPLAN 40x/0.65(S), W.D.=0.58mm					●	●		
Infinity Plan Objectives	EPLAN 100x/1.25(S, Oil), W.D.=0.19mm					●	●		
	PLAN 2.5x/0.07, W.D.=8.47mm							○	○
	PLAN 4X/0.10, W.D.=12.1mm							●	●
	PLAN 10X/0.25, W.D.=4.64mm							●	●
	PLAN 20X/0.40(S), W.D.=2.41mm							○	○
	PLAN 40X/0.66(S), W.D.=0.65mm							●	●
	PLAN 60X/0.80(S), W.D.=0.33mm							○	○
	PLAN 100X/1.25(S, Oil), W.D.=0.12mm							●	●
PLAN 100X/1.15(S, Water), W.D.=0.19mm							○	○	
Working Stage	Mechanical Stage Size: 145 mm×140mm, Travel: 76mm×52mm, Scale: 0.1mm, Double Slide Holder	●	●	●	●	●	●	●	●
	Rackless (Integrated) Stage, Size 140×135mm, Travel Range 75×35mm, Double Slide Holder	○	○	○	○	○	○	○	○
Focusing	Coaxial Coarse & Fine Focusing, Coarse Focusing Travel Range: 26mm, Fine Focusing Travel Range: 2μm/Division	●	●	●	●	●	●	●	●
Condenser	Abbe Condenser N.A.1.25, Iris Diaphragm, Rack & Pinion Up/Down, With Filter Holder	●	●	●	●	●	●	●	●
Illumination	3W-LED Illumination Systems Powered By Safety Low Voltage Charger, Input Wide Voltage 100V-240V, Output 5V1A, Support Power Bank Supply For Outdoor Use	●	●	●	●	●	●	●	●
	12V/20W Halogen Lamp, Power Supply Wide Voltage 100V~240V	○	○	○	○	○	○	○	○
	6V/30W Halogen Lamp, Power Supply Wide Voltage 100V~240V	○	○	○	○	○	○	○	○
Field Diaphragm	Upgrade To Kohler Illumination	○	○	○	○	○	○	○	○
Filter	Dia.45mm, Blue	○	○	○	○	○	○	○	○
	Dia.45mm, Green	○	○	○	○	○	○	○	○
	Dia.45mm, Yellow	○	○	○	○	○	○	○	○



#Letsgivemore

Thanks to your purchase, a donation will be made to a non-profit foundation that fights against breast cancer and helps most vulnerable communities.



All rights reserved © KALSTEIN France S. A. S.,
2 Rue Jean Lantier • 75001 Paris •
+33 1 78 95 87 89 / +33 6 80 76 07 10 •
<https://kalstein.eu>
KALSTEIN FRANCE, S. A. S



MICROSCOPE

Dark Field	Dark Field Condenser, Dry, N.A.0.83-0.91, For 4x10x40x Objective	<input type="radio"/>	<input type="radio"/>	<input type="radio"/>	<input type="radio"/>	<input type="radio"/>	<input type="radio"/>	<input type="radio"/>	<input type="radio"/>
Polarizing	Analyzer + Polarizer Set	<input type="radio"/>	<input type="radio"/>	<input type="radio"/>	<input type="radio"/>	<input type="radio"/>	<input type="radio"/>	<input type="radio"/>	<input type="radio"/>
Phase Contrast	Infinity Plan Phase Contrast Objective 10x + Phase Contrast Slide 10x + Phase Contrast Condenser + Telescope 11x + Green Filter	<input type="radio"/>	<input type="radio"/>	<input type="radio"/>	<input type="radio"/>	<input type="radio"/>	<input type="radio"/>	<input type="radio"/>	<input type="radio"/>
	Infinity Plan Phase Contrast Objective 20x + Phase Contrast Slide 20x + Phase Contrast Condenser + Telescope 11x + Green Filter	<input type="radio"/>	<input type="radio"/>	<input type="radio"/>	<input type="radio"/>	<input type="radio"/>	<input type="radio"/>	<input type="radio"/>	<input type="radio"/>
	Infinity Plan Phase Contrast Objective 40x + Phase Contrast Slide 40x + Phase Contrast Condenser + Telescope 11x + Green Filter	<input type="radio"/>	<input type="radio"/>	<input type="radio"/>	<input type="radio"/>	<input type="radio"/>	<input type="radio"/>	<input type="radio"/>	<input type="radio"/>
	Infinity Plan Phase Contrast Objective 100x + Phase Contrast Slide 100x + Phase Contrast Condenser + Telescope 11x + Green Filter	<input type="radio"/>	<input type="radio"/>	<input type="radio"/>	<input type="radio"/>	<input type="radio"/>	<input type="radio"/>	<input type="radio"/>	<input type="radio"/>
	Turret Phase Contrast Attachment Infinity Plan Phase Contrast Objective 10x20x40x100x, Turret Phase Contrast Condenser 5-Holes, Telescope 11x, Green Filter	<input type="radio"/>	<input type="radio"/>	<input type="radio"/>	<input type="radio"/>	<input type="radio"/>	<input type="radio"/>	<input type="radio"/>	<input type="radio"/>
Fluorescence Unit	Upgrade to A16.2601-B2/T2 Fluorescence Microscope With: B,G China Fluorescent Set 100W Mercury Lamp House 100W Mercury Power Box, Digital Disp. 6 Holes Disc Fluorescent Unit Ultraviolet Protection Barrier Centering Objective China 100W Mercury Lamp 2 pcs						<input type="radio"/>	<input type="radio"/>	
	Upgrade to A16.2601-B4/T4 Fluorescence Microscope With: B,G,U,UV China Fluorescent Set 100W Mercury Lamp House 100W Mercury Power Box, Digital Disp. 6 Holes Disc Fluorescent Unit Ultraviolet Protection Barrier Centering Objective China 100W Mercury Lamp 2 pcs						<input type="radio"/>	<input type="radio"/>	
	Upgrade to A16.2601-LB2/LT2 Fluorescence Microscope With: B,G China Fluorescent Set 6 Holes Disc Fluorescent Unit 5W LED Lamp House 5W LED Power Box Ultraviolet Protection Barrier						<input type="radio"/>	<input type="radio"/>	
	Upgrade to A16.2601-LB4/LT4 Fluorescence Microscope With: B,G,U,UV China Fluorescent Set 6 Holes Disc Fluorescent Unit 5W LED Lamp House 5W LED Power Box Ultraviolet Protection Barrier						<input type="radio"/>	<input type="radio"/>	
Adapter	C-Mount 0.5x, Focus Adjustable	<input type="radio"/>	<input type="radio"/>	<input type="radio"/>	<input type="radio"/>	<input type="radio"/>	<input type="radio"/>	<input type="radio"/>	<input type="radio"/>
	C-Mount 0.75x, Focus Adjustable	<input type="radio"/>	<input type="radio"/>	<input type="radio"/>	<input type="radio"/>	<input type="radio"/>	<input type="radio"/>	<input type="radio"/>	<input type="radio"/>
	C-Mount 1.0x, Focus Adjustable	<input type="radio"/>	<input type="radio"/>	<input type="radio"/>	<input type="radio"/>	<input type="radio"/>	<input type="radio"/>	<input type="radio"/>	<input type="radio"/>
	Digital Eyepiece Camera Adapter, Dia. 23.2mm/25mm	<input type="radio"/>	<input type="radio"/>	<input type="radio"/>	<input type="radio"/>	<input type="radio"/>	<input type="radio"/>	<input type="radio"/>	<input type="radio"/>
Mirror	Reflecting Mirror & Holder	<input type="radio"/>	<input type="radio"/>	<input type="radio"/>	<input type="radio"/>	<input type="radio"/>	<input type="radio"/>	<input type="radio"/>	
Attachment	Wire Winding Device	<input type="radio"/>	<input type="radio"/>	<input type="radio"/>	<input type="radio"/>	<input type="radio"/>	<input type="radio"/>	<input type="radio"/>	
Package	Carton Size 390×280×450mm, 1 Unit/Ctn								
Weight	Gross Weight: 7.5 kgs, Net Weight: 6.5 kgs								
Note: "●" In Table Is Standard outfits, "○" Is Optional Accessories									



#Letsgivemore 

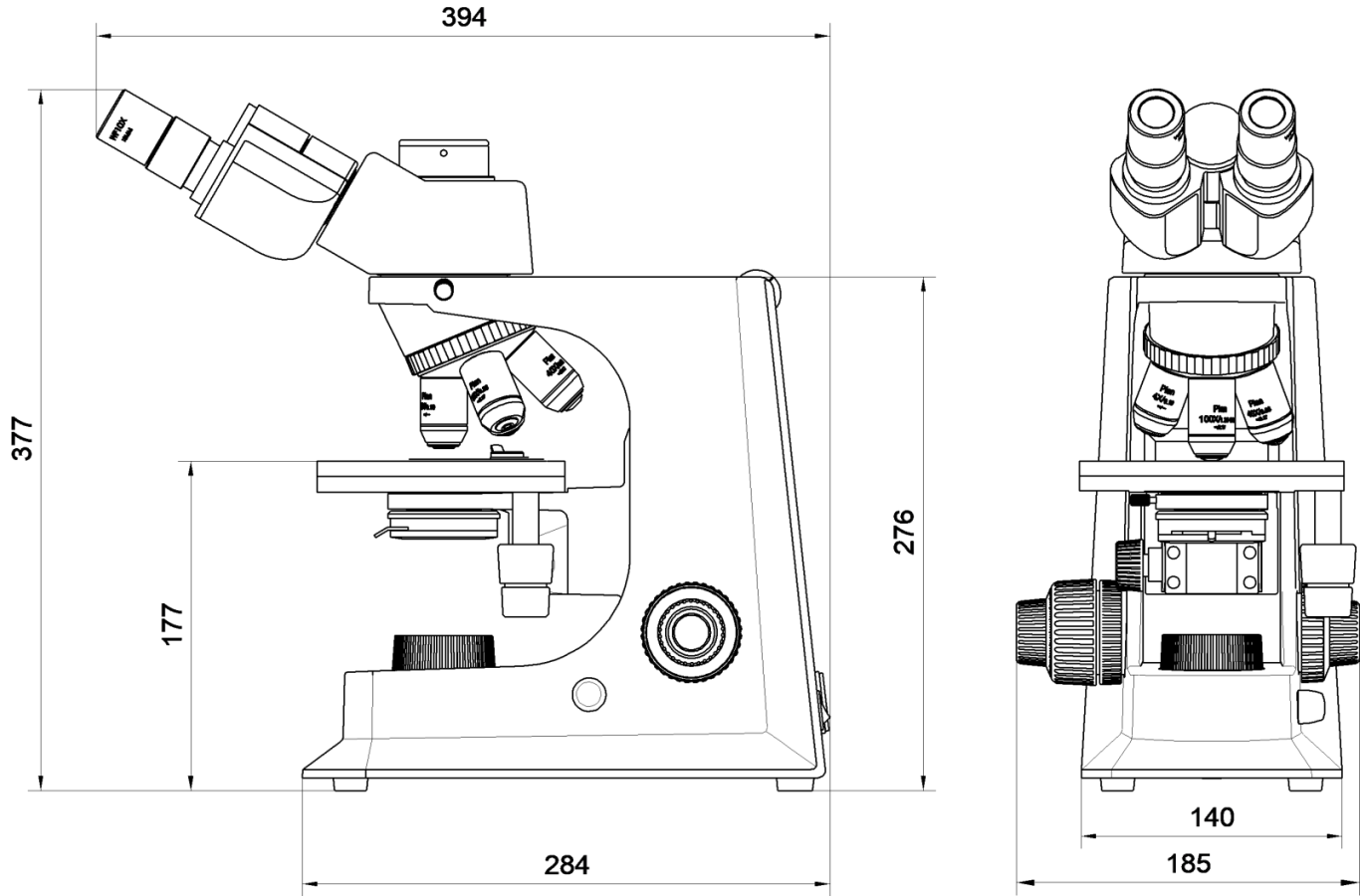
Thanks to your purchase, a donation will be made to a non-profit foundation that fights against breast cancer and helps most vulnerable communities.



All rights reserved © KALSTEIN France S. A. S.,
2 Rue Jean Lantier • 75001 Paris •
+33 1 78 95 87 89 / +33 6 80 76 07 10 •
<https://kalstein.eu>
KALSTEIN FRANCE, S. A. S



Product Size(mm)



Product Accessories



YR05787-1A
WF10x/18mm



YR05787-1AWF10X/20mm
(High Eyepoint)



YR05787-1A
Infinity E-Plan Objective



YR05787-1A
Infinity Plan Objectives



#Letsgivemore

Thanks to your purchase, a donation will be made to a non-profit foundation that fights against breast cancer and helps most vulnerable communities.



All rights reserved © KALSTEIN France S. A. S.,
2 Rue Jean Lantier • 75001 Paris •
+33 1 78 95 87 89 / +33 6 80 76 07 10 •
<https://kalstein.eu>
KALSTEIN FRANCE, S. A. S.





YR05787-1A
Achromatic Objective



YR05787-1A
Digital Eyepiece
Camera Adapter



YR057871-A
Plan Objective



YR05787-1A
Field Diaphragm



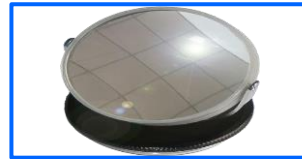
YR05787-
1A
C-



Mount 1.0
x, Focus
Adjustable



YR05787-1A
Analyzer + Polarizer Set



YR05787-1A
Dark Field Condenser,
Dry



YR05787-1A
C-Mount 0.75x,
Focus Adjustable



YR05787-1A
Rackless (Integrated) Stage



YR05787-1A
Filter : Blue, Green, Yellow



YR05787-1A
C-Mount 0.5x,
Focus Adjustable



#Letsgivemore Thanks to your purchase, a donation will be made to a non-profit foundation that fights against breast cancer and helps most vulnerable communities.



All rights reserved © KALSTEIN France S. A. S.,
2 Rue Jean Lantier • 75001 Paris •
+33 1 78 95 87 89 / +33 6 80 76 07 10 •
<https://kalstein.eu>
KALSTEIN FRANCE, S. A. S





YR05787-1A

Phase Contrast Objective + Side + Condenser + Telescope + Green Filter



YR05787-1A

Turret Phase Contrast Attachment

Product Multi-angle



#Letsgivemore ♥

Thanks to your purchase, a donation will be made to a non-profit foundation that fights against breast cancer and helps most vulnerable communities.



All rights reserved © KALSTEIN France S. A. S.,
 2 Rue Jean Lantier • 75001 Paris •
 +33 1 78 95 87 89 / +33 6 80 76 07 10 •
<https://kalstein.eu>
 KALSTEIN FRANCE, S. A. S





Product Upgrade



Yr05787-1 A fluorescence Microscope



YR05787-1A LED Fluorescence Microscope



YR05787-1A Metallurgical Microscope(Reflect)



YR05787-1A Polarizing Microscope(Transmit)



#Letsgivemore

Thanks to your purchase, a donation will be made to a non-profit foundation that fights against breast cancer and helps most vulnerable communities.



All rights reserved © KALSTEIN France S. A. S.,
 2 Rue Jean Lantier • 75001 Paris •
 +33 1 78 95 87 89 / +33 6 80 76 07 10 •
<https://kalstein.eu>
 KALSTEIN FRANCE, S. A. S





 **Kalstein**[®]
A different accompaniment, at your service

#LETSGIVEMORE 

**WITH THE
ACQUISITION
OF A KALSTEIN
EQUIPMENT**

YOU MAKE A CONTRIBUTION TO:



**Fundación
Jacinto Convit**

<https://www.jacintoconvit.org/>



<https://onetreepanted.org>



Humatem

Solidarité et coopération
biomédicale

<https://www.humatem.org/>



**MANIAPURE
FOUNDATION USA**

<https://www.maniapurefoundation.org/>

Articles Kalstein
(Social Networks and Official Websites)



Kalstein Blog
Not just be informed, be fully informed

The 3 articles of the week!

Read more on Kalstein's social medias or official websites
<https://kalstein.eu/articles>



1
Read this ARTICLE NOW

How does the climate affect your microscope?

Kalstein Blog

Article of the week:
How does the climate affect your microscope?

Read more on Kalstein's social medias or official websites
<https://kalstein.eu/articles>



2
Read this ARTICLE NOW

What is the importance of the laboratory refrigerator?

Kalstein Blog

Article of the week:
What is the importance of the laboratory refrigerator?

Read more on Kalstein's social medias or official websites
<https://kalstein.eu/articles>

Kalstein Training Videos
(Youtube Channel and Official Websites)



Kalstein France - Jacinto Convit Foundation / Allianc...

23 views • 3 years ago



Kalstein's Microscopes

445 views • 1 week ago



PARIS - FRANCE
HEADQUARTER

2 Rue Jean Lantier
75001 Paris - France

Tlf: +33 (0) 01 78 95 87 89

Cel: +33 (0) 6 80 76 07 10

sales@kalstein.eu

<https://kalstein.eu/>
<https://www.kalstein.fr/>

